

**ZYNQ UltraScale+ MPSoC  
FPGA Development Board  
AXU2CGB-E  
User Manual**



## Version Record

Version	Date	Release By	Description
Rev 1.0	2022-09-08		

## Table of Contents

Version Record .....	2
Part 1: FPGA Development Board Introduction .....	6
Part 2: ACU2CG core board .....	10
Part 2.1: ACU2CG core board Introduction .....	10
Part 2.2: ZYNQ Chip .....	11
Part 2.3: DDR4 DRAM .....	13
Part 2.4: QSPI Flash .....	18
Part 2.5: eMMC Flash .....	19
Part 2.6: Clock configuration .....	21
Part 2.7: LED .....	23
Part 2.8: Power Supply .....	24
Part 2.9: ACU2CG Core Board Form Factor .....	25
Part 2.10: Board to Board Connectors pin assignment .....	25
Part 3: Carrier Board .....	35
Part 3.1: Carrier Board Introduction .....	35
Part 3.2: M.2 Interface .....	36
Part 3.3: DP Interface .....	37
Part 3.4: USB3.0 interface .....	39
Part 3.5: Gigabit Ethernet Interface .....	40
Part 3.6: USB to Serial Port .....	42
Part 3.7: SD Card Slot Interface .....	43
Part 3.8: Expansion Header .....	44
Part 3.9: CAN communication interface .....	46
Part 3.10: 485 communication interface .....	47
Part 3.11: MIPI camera interface .....	48
Part 3.12: JTAG Debug Port .....	49
Part 3.13: Real-time clock .....	50

Part 3.14: EEPROM and Temperature sensor .....	51
Part 3.15: User LEDs .....	52
Part 3.16: Keys .....	53
Part 3.17: DIP Switch Configuration .....	54
Part 3.18: Power Supply .....	55
Part 3.19: ALINX Customized Fan .....	56
Part 3.20: Carrier Board Size Dimension .....	57

This MPSoCs FPGA development platform adopts the core board + carrier board mode, which is convenient for users to use the core board for secondary development. The core board uses XILINX Zynq UltraScale+ CEG chip ZU2CG solution, uses Processing System(PS)+Programmable Logic(PL) technology to integrate dual-core ARM ARM Cortex-A53 and FPGA programmable logic on a single chip. In addition, the PS side of the core board has 4 pieces of 1GB high-speed DDR4 SDRAM chips, 1 piece of 8GB eMMC memory chip and 1 piece of 256Mb QSPI FLASH chip.

In the design of carrier board, we have extended a wealth of interfaces for users, such as 1 SATA M.2 interface, 1 DP interface, 4 USB 3.0 Interface, 2 Gigabit Ethernet interfaces, 1 SD card slot, 2-Channel 40-pin expansion header, 2-Channel CAN bus interfaces, 2-Channel RS485 bus interfaces, 1 MIPI Camera Interface. It meets users' requirements for high-speed data exchange, data storage, Video transmission processing, deep learning, artificial intelligence and industrial control. It is a "professional" ZYNQ development platform. For high-speed data transmission and exchange, pre-verification and post-application of data processing is possible. This product is very suitable for students, engineers and other groups engaged in MPSoCs development.



## **Part 1: FPGA Development Board Introduction**

The entire structure of the AXU2CGB-E FPGA development board is inherited from our consistent core board + carrier board model. A high-speed inter-board connector is used between the core board and the carrier board.

The core board is mainly composed of the smallest system of XCZU2CG + 4 DDR4 + eMMC + QSPI FLASH, ACU2CG uses Xilinx's Zynq UltraScale+ MPSoCs CG chip, the model number is XCZU2CG-1SFVC784E. XCZU2CG chip can be divided into processor system part Processor System (PS) and programmable logic part Programmable Logic (PL). On the PS side of the ZU2CG chip, there are 4 DDR4, each with a capacity of up to 512MB. The 8GB eMMC FLASH memory chip and a 256Mb QSPI FLASH which are on the PS side, used to statically store the operating system, file system and user data of MPSoCs.

The AXU2CGB-E carrier board expands its rich peripheral interface, including 1 SATA M.2 interface, 1 DP interface, 4 USB 3.0 Interface, 2 Gigabit Ethernet interfaces, 1 SD card slot, 2-Channel 40-pin expansion header, 2-Channel CAN bus interfaces, 2-Channel RS485 bus interfaces, 1 MIPI Camera Interface and some keys and LEDs.

The following figure shows the structure of the entire development system:

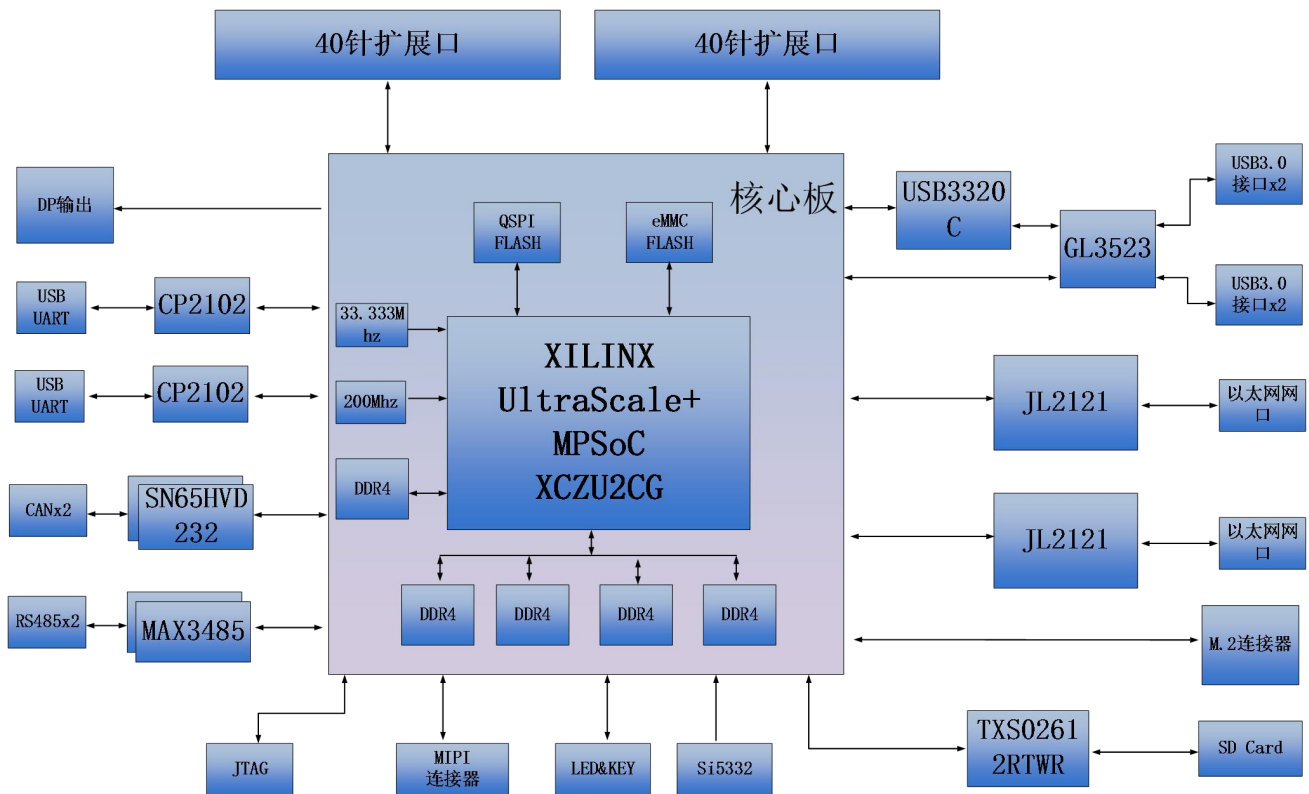


Figure 1-1-1: The Schematic Diagram of the AXU2CGB-E

Through this diagram, you can see the interfaces and functions that the AXU2CGB-E FPGA Development Board contains:

➤ ACU2CG core board

It consists of ACU2CG +4GB DDR4 (PS) +8GB eMMC FLASH + 256Mb QSPI FLASH, and there are 2 crystal oscillators to provide the clock, a single-ended 33.3333MHz crystal oscillator for the PS system, and a differential 200MHz crystal oscillator for the PL logic DDR reference clock.

➤ M.2 Interface1 PCIe1 standard M.2 interface, used to connect M.2 SSD solid state drives, with a communication speed of up to 6Gbps.

➤ DP Output Interface

1 standard Display Port output display interface, used for video image display. Supports up to 4K@30Hz or 1080P@60Hz output

➤ USB 3.0 Interface

4-channel USB3.0 HOST interface, USB interface type is TYPE A. Used to connect external USB peripherals, such as connecting a mouse, keyboard, U disk, etc.

➤ Gigabit Ethernet Interface

2-Channel 10/100M/1000M Ethernet RJ45 interface for Ethernet data exchange with computers or other network devices. The network interface chip uses JLSemi JL2121-N040I industrial grade GPHY chip.

➤ USB Uart Interface

Two Uart to USB ports, one for PS and one for PL. It is used to communicate with the computer, which is convenient for users to debug. The serial port chip adopts Silicon Labs CP2102GM's USB-UAR chip, and the USB interface adopts MINI USB interface.

➤ SD Card Slot Interface

1 Micro SD card holder, used to store operating system image and file system.

➤ 40-pin expansion port

2 40-pin 0.1-inch pitch expansion port can be connected to various ALINX modules (binocular camera, TFT LCD screen, high-speed AD module, etc.). The expansion port contains 1-channel 5V power supply, 2-channel 3.3V power supply, 3-channel way ground, 34 IOs port.

➤ CAN Communication Interface

Two-way CAN bus interface, using TI's SN65HVD232 chip, the interface uses 4Pin green terminal blocks.

➤ 485 Communication Interface

Two-way 485 communication interface, using MAX3485 chip of MAXIM company. The interface uses 6Pin green terminal blocks.

➤ MIPI Interface

MIPI camera input interfaces, used to connect MIPI camera module (AN5641).



- JTAG debug port  
A 10-pin 0.1 spacing standard JTAG ports for FPGA program download and debugging. Users can debug and download the ZU2CG system through the XILINX downloader.
- Temperature and humidity sensor chip LM75  
On-board temperature and humidity sensor chip LM75, used to detect the temperature and humidity of the surrounding environment around the FPGA development board
- EEPROM  
One EEPROM 24LC04 with IIC interface
- Real Time Clock (RTC)  
1 built-in RTC real-time clock
- LED Lights  
5 LEDs, include 2 LEDs on the core board, 3 LED on the carrier board. There are 1 power indicator and 1 DONE Configuration indicator on the core board, 1 power indicator on the carrier board. There are 1 power indicator and 2 user indicators on the carrier board.
- KEYS  
3 KEYS, include 1 Rest KEY and 2 User KEYS.

## **Part 2: ACU2CG core board**

### **Part 2.1: ACU2CG core board Introduction**

ACU2CG (core board model, the same below) FPGA core board, ZYNQ chip is based on XCZU2CG-1SFVC784E of XILINX company Zynq UltraScale+ MPSoCs CG series.

This core board uses 4 Micron DDR4 chips MT40A512M16GE on the PS side, to form a 64-bit data bus bandwidth and 2GB capacity. The highest operating speed of DDR4 SDRAM on the PS side can reach 1200MHz (data rate 2400Mbps). In addition, a 256MBit QSPI FLASH and an 8GB eMMC FLASH chip are also integrated on the core board to start storage configuration and system files.

In order to connect with the carrier board, the four board-to-board connectors of this core board expand the PS side USB2.0 interface, Gigabit Ethernet interface, SD card interface and other remaining MIO ports; also expand 4 pairs of PS MGT high-speed transceiver interface; and almost all IO ports on the PL side (HP I/O: 96, HD I/O: 84). The wiring between the XCZU2CG chip and the interface has been processed with equal length and differential, and the core board size is only 3.15\*2.36 (inch), which is very suitable for secondary development.

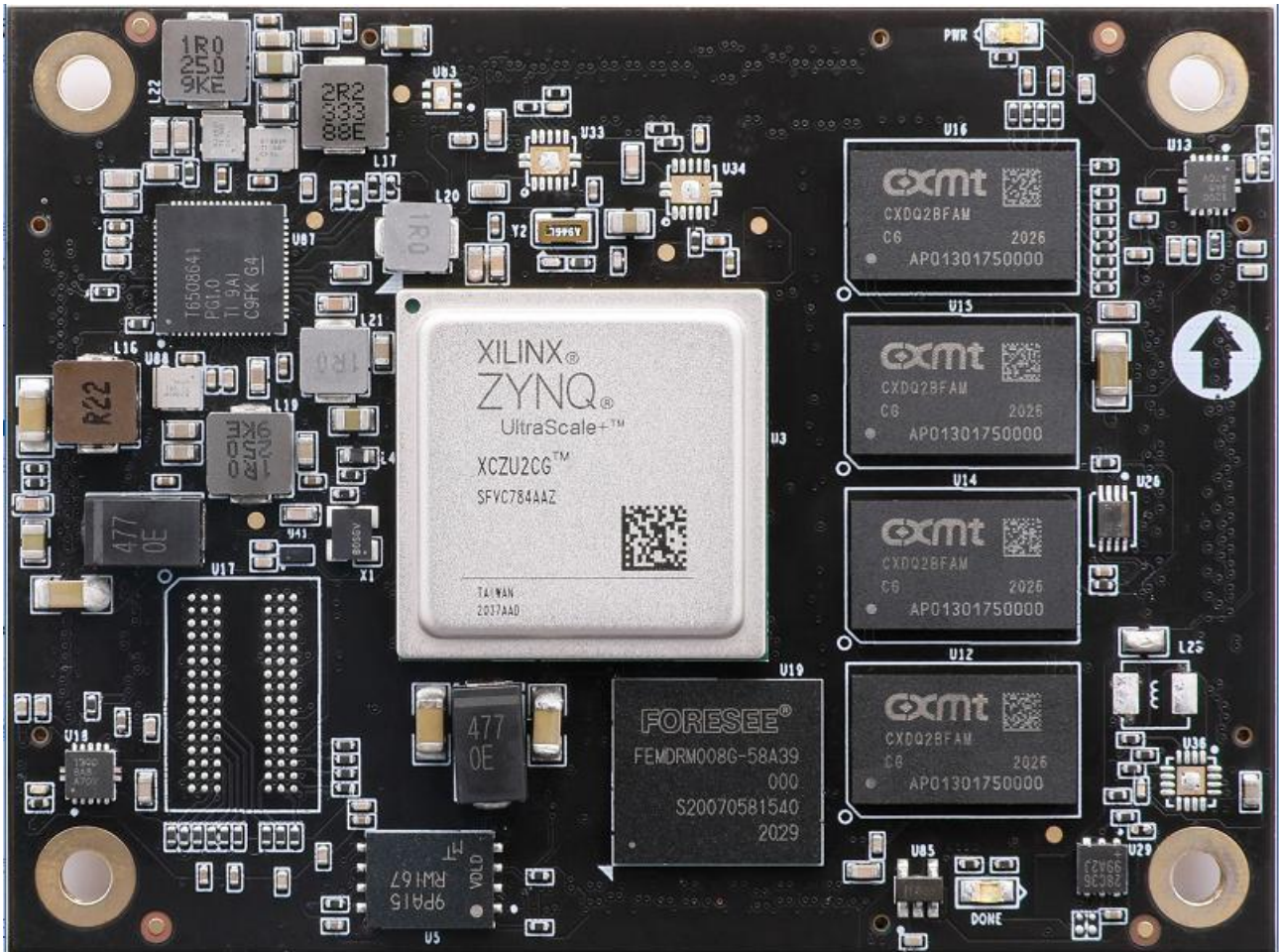


Figure 2-1-1: ACU2CG Core Board (Front View)

## Part 2.2: ZYNQ Chip

The FPGA core board ACU2CG uses Xilinx's Zynq UltraScale+ MPSoCs CG series chip, module XCZU2CG-1SFVC784E. The PS system of the ZU2CG chip integrates 2 ARM Cortex™-A53 processors with a speed of up to 1.2Ghz and supports Level 2 Cache; it also contains 2 Cortex-R5 processors with a speed of up to 500Mhz

The ZU2CG chip supports 32-bit or 64-bit DDR4, LPDDR4, DDR3, DDR3L, LPDDR3 memory chips, with rich high-speed interfaces on the PS side such as PCIE Gen2, USB3.0, SATA 3.1, DisplayPort; it also supports USB2.0 , Gigabit Ethernet, SD/SDIO, I2C, CAN, UART, GPIO and other interfaces. The PL end contains a wealth of programmable logic units, DSP and internal RAM.

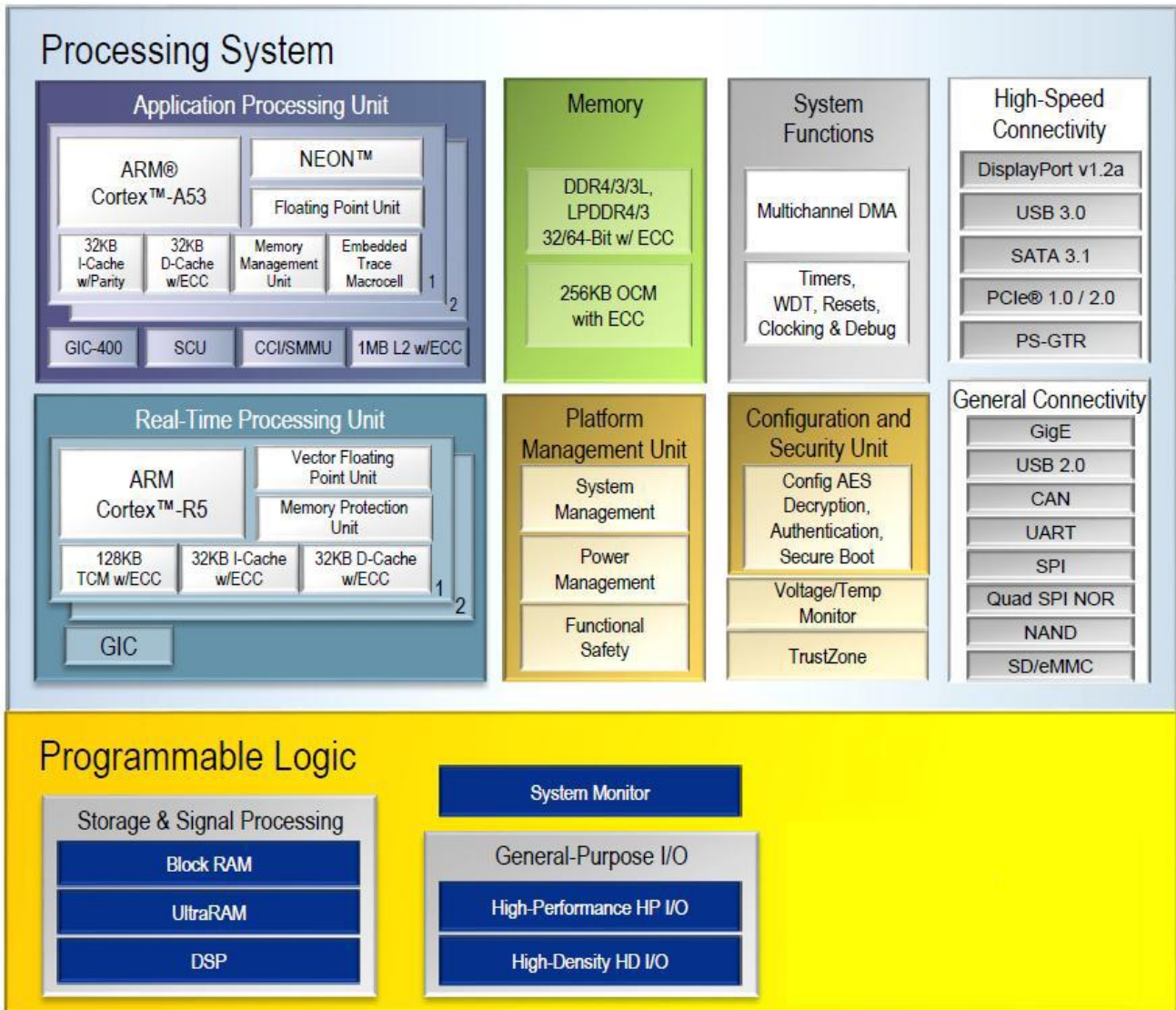


Figure 2-2-1: Overall Block Diagram of the ZYNQ ZU2CG Chip

**The main parameters of the PS system part are as follows:**

- ARM quad-core Cortex™-A53 processor, speed up to 1.2GHz, each CPU 32KB level 1 instruction and data cache, 1MB level 2 cache, shared by 2 CPUs
- ARM dual-core Cortex-R5 processor, speed up to 500MHz, each CPU 32KB level 1 instruction and data cache, and 128K tightly coupled memory.
- External storage interface, support 32/64bit DDR4/3/3L, LPDDR4/3 interface

- Static storage interface, support NAND, 2xQuad-SPI FLASH.
- High-speed connection interface, support PCIe Gen2 x 4, 2 x USB3.0, Sata 3.1, Display Port, 4 x Tri-mode Gigabit Ethernet
- Common connection interfaces: 2 x USB2.0, 2 x SD/SDIO, 2 x UART, 2 x CAN 2.0B, 2 x I2C, 2 x SPI, 4 x 32b GPIO
- Power management: Supports the division of four parts of power supply Full/Low/PL/Battery.
- Encryption algorithm: support RSA, AES and SHA.
- System monitoring: 10-bit 1Mbps AD sampling for temperature and voltage detection.

### **The main parameters of the PL logic part are as follows:**

- Logic Cells: 103K
- Flip-flops: 94K
- Look-up-tables (LUTs): 47K
- Block RAM: 5.3MB
- Clock Management Units (CMTs): 3
- 18x25MACCs: 240

XCZU2CG-1SFVC784E chip speed grade is -1, industrial grade, package is SFVC784

## **Part 2.3: DDR4 DRAM**

The ACU2CG core board is equipped with 4 Micron (Micron) 512MB DDR4 chips, model is PANGO CXDQ2BFAM-CG (Compatible with MT40A256M16GE-083E), to form a 64-bit data bus bandwidth and 2GB capacity. The maximum operating speed of the DDR4 SDRAM on the PS side can reach 1200MHz (data rate 2400Mbps), and the 4 DDR4 storage systems

are directly connected to the memory interface of the PS BANK504. The highest operating speed of the DDR4 SDRAM on the PL side can reach 1066MHz (data rate 2133Mbps), and four DDR4 storage systems are directly connected to the memory interface of PS's BANK504. The specific configuration of DDR4 SDRAM is shown in Table 2-3-1 below:

Bit Number	Chip Model	Capacity	Factory
U12,U14,U15,U16	CXDQ2BFAM-CG	256M x 16bit	PANGO

Table 2-3-1: DDR4 SDRAM Configuration

The hardware design of DDR4 requires strict consideration of signal integrity. We have fully considered the matching resistor/terminal resistance, trace impedance control, and trace length control in circuit design and PCB design to ensure high-speed and stable operation of DDR4.

The hardware connection of DDR4 SDRAM on the PS Side is shown in Figure 2-3-1:

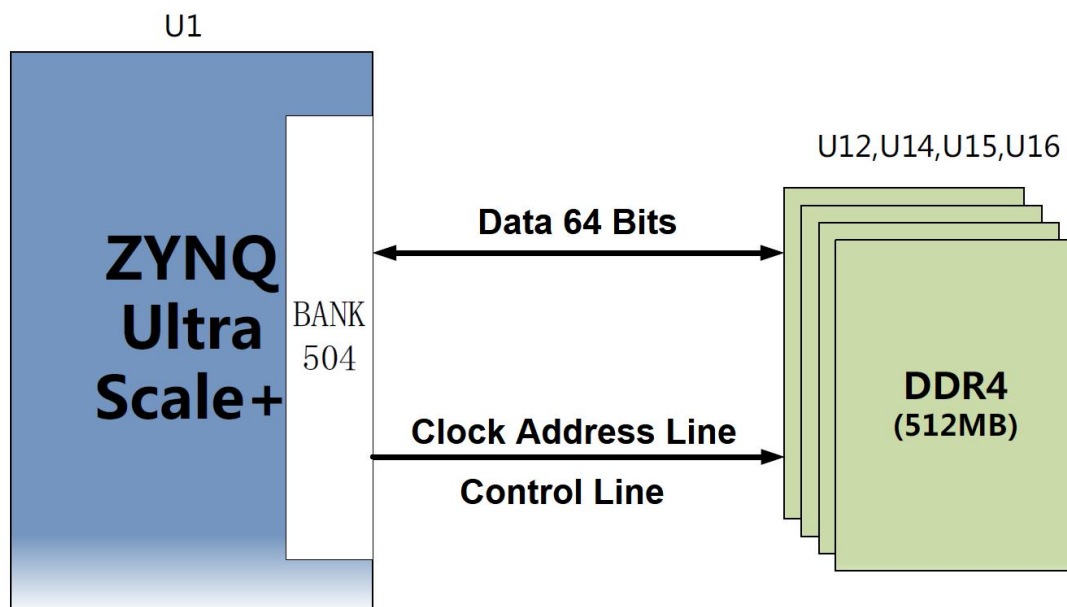


Figure 2-3-1: DDR4 DRAM schematic diagram on the PS Side

**PS Side DDR4 DRAM pin assignment:**

Signal Name	Pin Name	Pin Number
PS_DDR4_DQS0_P	PS_DDR_DQS_P0_504	AF21
PS_DDR4_DQS0_N	PS_DDR_DQS_N0_504	AG21
PS_DDR4_DQS1_P	PS_DDR_DQS_P1_504	AF23
PS_DDR4_DQS1_N	PS_DDR_DQS_N1_504	AG23
PS_DDR4_DQS2_P	PS_DDR_DQS_P2_504	AF25
PS_DDR4_DQS2_N	PS_DDR_DQS_N2_504	AF26
PS_DDR4_DQS3_P	PS_DDR_DQS_P3_504	AE27
PS_DDR4_DQS3_N	PS_DDR_DQS_N3_504	AF27
PS_DDR4_DQS4_P	PS_DDR_DQS_P4_504	N23
PS_DDR4_DQS4_N	PS_DDR_DQS_N4_504	M23
PS_DDR4_DQS5_P	PS_DDR_DQS_P5_504	L23
PS_DDR4_DQS5_N	PS_DDR_DQS_N5_504	K23
PS_DDR4_DQS6_P	PS_DDR_DQS_P6_504	N26
PS_DDR4_DQS6_N	PS_DDR_DQS_N6_504	N27
PS_DDR4_DQS7_P	PS_DDR_DQS_P7_504	J26
PS_DDR4_DQS7_N	PS_DDR_DQS_N7_504	J27
PS_DDR4_DQ0	PS_DDR_DQ0_504	AD21
PS_DDR4_DQ1	PS_DDR_DQ1_504	AE20
PS_DDR4_DQ2	PS_DDR_DQ2_504	AD20
PS_DDR4_DQ3	PS_DDR_DQ3_504	AF20
PS_DDR4_DQ4	PS_DDR_DQ4_504	AH21
PS_DDR4_DQ5	PS_DDR_DQ5_504	AH20
PS_DDR4_DQ6	PS_DDR_DQ6_504	AH19
PS_DDR4_DQ7	PS_DDR_DQ7_504	AG19
PS_DDR4_DQ8	PS_DDR_DQ8_504	AF22
PS_DDR4_DQ9	PS_DDR_DQ9_504	AH22
PS_DDR4_DQ10	PS_DDR_DQ10_504	AE22
PS_DDR4_DQ11	PS_DDR_DQ11_504	AD22
PS_DDR4_DQ12	PS_DDR_DQ12_504	AH23
PS_DDR4_DQ13	PS_DDR_DQ13_504	AH24
PS_DDR4_DQ14	PS_DDR_DQ14_504	AE24
PS_DDR4_DQ15	PS_DDR_DQ15_504	AG24

PS_DDR4_DQ16	PS_DDR_DQ16_504	AC26
PS_DDR4_DQ17	PS_DDR_DQ17_504	AD26
PS_DDR4_DQ18	PS_DDR_DQ18_504	AD25
PS_DDR4_DQ19	PS_DDR_DQ19_504	AD24
PS_DDR4_DQ20	PS_DDR_DQ20_504	AG26
PS_DDR4_DQ21	PS_DDR_DQ21_504	AH25
PS_DDR4_DQ22	PS_DDR_DQ22_504	AH26
PS_DDR4_DQ23	PS_DDR_DQ23_504	AG25
PS_DDR4_DQ24	PS_DDR_DQ24_504	AH27
PS_DDR4_DQ25	PS_DDR_DQ25_504	AH28
PS_DDR4_DQ26	PS_DDR_DQ26_504	AF28
PS_DDR4_DQ27	PS_DDR_DQ27_504	AG28
PS_DDR4_DQ28	PS_DDR_DQ28_504	AC27
PS_DDR4_DQ29	PS_DDR_DQ29_504	AD27
PS_DDR4_DQ30	PS_DDR_DQ30_504	AD28
PS_DDR4_DQ31	PS_DDR_DQ31_504	AC28
PS_DDR4_DQ32	PS_DDR_DQ32_504	T22
PS_DDR4_DQ33	PS_DDR_DQ33_504	R22
PS_DDR4_DQ34	PS_DDR_DQ34_504	P22
PS_DDR4_DQ35	PS_DDR_DQ35_504	N22
PS_DDR4_DQ36	PS_DDR_DQ36_504	T23
PS_DDR4_DQ37	PS_DDR_DQ37_504	P24
PS_DDR4_DQ38	PS_DDR_DQ38_504	R24
PS_DDR4_DQ39	PS_DDR_DQ39_504	N24
PS_DDR4_DQ40	PS_DDR_DQ40_504	H24
PS_DDR4_DQ41	PS_DDR_DQ41_504	J24
PS_DDR4_DQ42	PS_DDR_DQ42_504	M24
PS_DDR4_DQ43	PS_DDR_DQ43_504	K24
PS_DDR4_DQ44	PS_DDR_DQ44_504	J22
PS_DDR4_DQ45	PS_DDR_DQ45_504	H22
PS_DDR4_DQ46	PS_DDR_DQ46_504	K22
PS_DDR4_DQ47	PS_DDR_DQ47_504	L22
PS_DDR4_DQ48	PS_DDR_DQ48_504	M25
PS_DDR4_DQ49	PS_DDR_DQ49_504	M26
PS_DDR4_DQ50	PS_DDR_DQ50_504	L25



PS_DDR4_DQ51	PS_DDR_DQ51_504	L26
PS_DDR4_DQ52	PS_DDR_DQ52_504	K28
PS_DDR4_DQ53	PS_DDR_DQ53_504	L28
PS_DDR4_DQ54	PS_DDR_DQ54_504	M28
PS_DDR4_DQ55	PS_DDR_DQ55_504	N28
PS_DDR4_DQ56	PS_DDR_DQ56_504	J28
PS_DDR4_DQ57	PS_DDR_DQ57_504	K27
PS_DDR4_DQ58	PS_DDR_DQ58_504	H28
PS_DDR4_DQ59	PS_DDR_DQ59_504	H27
PS_DDR4_DQ60	PS_DDR_DQ60_504	G26
PS_DDR4_DQ61	PS_DDR_DQ61_504	G25
PS_DDR4_DQ62	PS_DDR_DQ62_504	K25
PS_DDR4_DQ63	PS_DDR_DQ63_504	J25
PS_DDR4_DM0	PS_DDR_DM0_504	AG20
PS_DDR4_DM1	PS_DDR_DM1_504	AE23
PS_DDR4_DM2	PS_DDR_DM2_504	AE25
PS_DDR4_DM3	PS_DDR_DM3_504	AE28
PS_DDR4_DM4	PS_DDR_DM4_504	R23
PS_DDR4_DM5	PS_DDR_DM5_504	H23
PS_DDR4_DM6	PS_DDR_DM6_504	L27
PS_DDR4_DM7	PS_DDR_DM7_504	H26
PS_DDR4_A0	PS_DDR_A0_504	W28
PS_DDR4_A1	PS_DDR_A1_504	Y28
PS_DDR4_A2	PS_DDR_A2_504	AB28
PS_DDR4_A3	PS_DDR_A3_504	AA28
PS_DDR4_A4	PS_DDR_A4_504	Y27
PS_DDR4_A5	PS_DDR_A5_504	AA27
PS_DDR4_A6	PS_DDR_A6_504	Y22
PS_DDR4_A7	PS_DDR_A7_504	AA23
PS_DDR4_A8	PS_DDR_A8_504	AA22
PS_DDR4_A9	PS_DDR_A9_504	AB23
PS_DDR4_A10	PS_DDR_A10_504	AA25
PS_DDR4_A11	PS_DDR_A11_504	AA26
PS_DDR4_A12	PS_DDR_A12_504	AB25
PS_DDR4_A13	PS_DDR_A13_504	AB26

PS_DDR4_WE_B	PS_DDR_A14_504	AB24
PS_DDR4_CAS_B	PS_DDR_A15_504	AC24
PS_DDR4_RAS_B	PS_DDR_A16_504	AC23
PS_DDR4_ACT_B	PS_DDR_ACT_N_504	Y23
PS_DDR4_ALERT_B	PS_DDR_ALERT_N_504	U25
PS_DDR4_BA0	PS_DDR_BA0_504	V23
PS_DDR4_BA1	PS_DDR_BA1_504	W22
PS_DDR4_BG0	PS_DDR_BG0_504	W24
PS_DDR4_CS0_B	PS_DDR_CS_N0_504	W27
PS_DDR4_ODT0	PS_DDR_ODT0_504	U28
PS_DDR4_PARITY	PS_DDR_PARITY_504	V24
PS_DDR4_RESET_B	PS_DDR_RST_N_504	U23
PS_DDR4_CLK0_P	PS_DDR_CK0_P_504	W25
PS_DDR4_CLK0_N	PS_DDR_CK0_N_504	W26
PS_DDR4_CKE0	PS_DDR_CKE0_504	V28

## Part 2.4: QSPI Flash

The FPGA core board ACU2CG is equipped with one 256MBit Quad-SPI FLASH chip to form an 8-bit bandwidth data bus, the flash model is MT25QU256ABA1EW9, which uses the 1.8V CMOS voltage standard. Due to the non-volatile nature of QSPI FLASH, it can be used as a boot device for the system to store the boot image of the system. These images mainly include FPGA bit files, ARM application code, and other user data files. The specific models and related parameters of QSPI FLASH are shown in Table 2-4-1.

Position	Model	Capacity	Factory
U5	MT25QU256ABA1EW9	256Mbit	Winbond

Table 2-4-1: QSPI FLASH Specification

QSPI FLASH is connected to the GPIO port of the BANK500 in the PS section of the ZYNQ chip. In the system design, the GPIO port functions of these PS ports need to be configured as the QSPI FLASH interface. Figure

2-4-1 shows the QSPI Flash in the schematic.

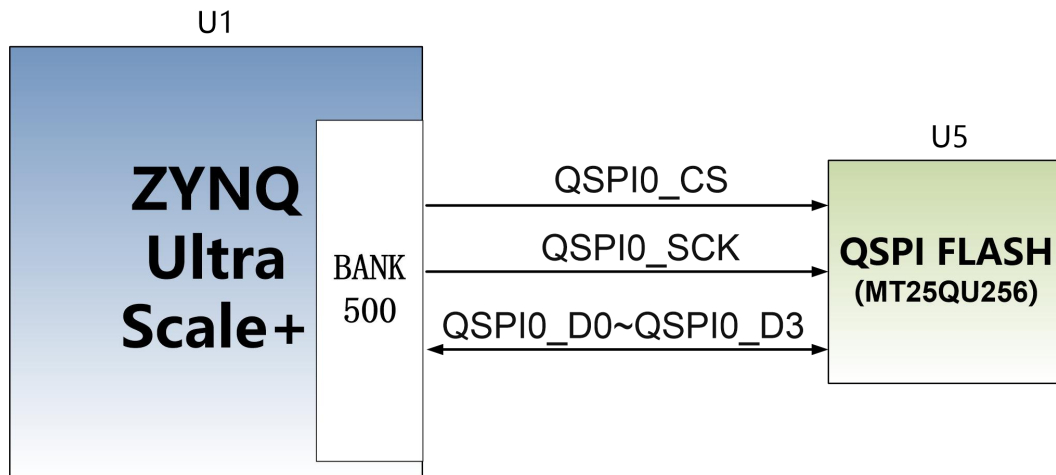


Figure 2-4-1: QSPI Flash in the schematic

**Configure chip pin assignments:**

Signal Name	Pin Name	Pin Number
MIO0_QSPI0_SCLK	PS_MIO0_500	AG15
MIO1_QSPI0_IO1	PS_MIO1_500	AG16
MIO2_QSPI0_IO2	PS_MIO2_500	AF15
MIO3_QSPI0_IO3	PS_MIO3_500	AH15
MIO4_QSPI0_IO0	PS_MIO4_500	AH16
MIO5_QSPI0_SS_B	PS_MIO5_500	AD16

**Part 2.5: eMMC Flash**

The ACU2CG core board is equipped with a large-capacity 8GB eMMC FLASH chip, the model is FEMDRM008G-58A39 (Compatible with MTFC8GAKAJCN-4M ), it supports the HS-MMC interface of the JEDEC e-MMC V5.0 standard, and the level supports 1.8V or 3.3V. The data width of eMMC FLASH and ZYNQ connection is 8bit. Due to the large-capacity and non-volatile characteristics of eMMC FLASH, it can be used as a large-capacity storage device in the ZYNQ system, such as storing ARM applications, system files and other user data files The specific models and related parameters of eMMC FLASH are shown in Table 2-5-1.

Position	Model	Capacity	Factory
U19	FEMDRM008G-58A39	8G Byte	FORESEE

Table 2-5-1: eMMC FLASH Specification

The eMMC FLASH is connected to the GPIO port of the BANK500 of the PS part of the ZYNQ UltraScale+. In the system design, it is necessary to configure the GPIO port function of the PS side as an EMMC interface. Figure 2-5-1 shows the part of eMMC Flash in the schematic diagram.

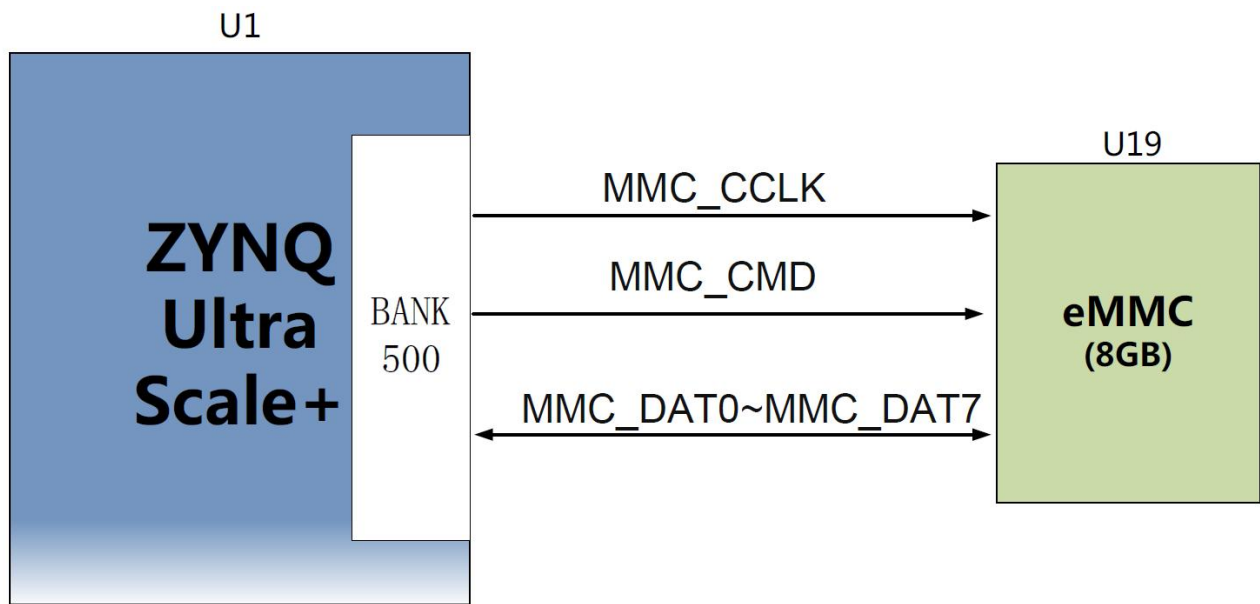


Figure 2-5-1: QSPI Flash in the schematic

**Configuration Chip pin assignment:**

Signal Name	Pin Name	Pin Number
MMC_DAT0	PS_MIO13_500	AH18
MMC_DAT1	PS_MIO14_500	AG18
MMC_DAT2	PS_MIO15_500	AE18
MMC_DAT3	PS_MIO16_500	AF18
MMC_DAT4	PS_MIO17_500	AC18
MMC_DAT5	PS_MIO18_500	AC19
MMC_DAT6	PS_MIO19_500	AE19
MMC_DAT7	PS_MIO20_500	AD19
MMC_CMD	PS_MIO21_500	AC21

MMC_CCLK	PS_MIO22_500	AB20
MMC_RSTN	PS_MIO23_500	AB18

## Part 2.6: Clock configuration

The core board provides reference clock and RTC real-time clock for PS system and PL logic respectively, so that PS system and PL logic can work independently. The schematic diagram of the clock circuit design is shown in Figure 2-6-1:

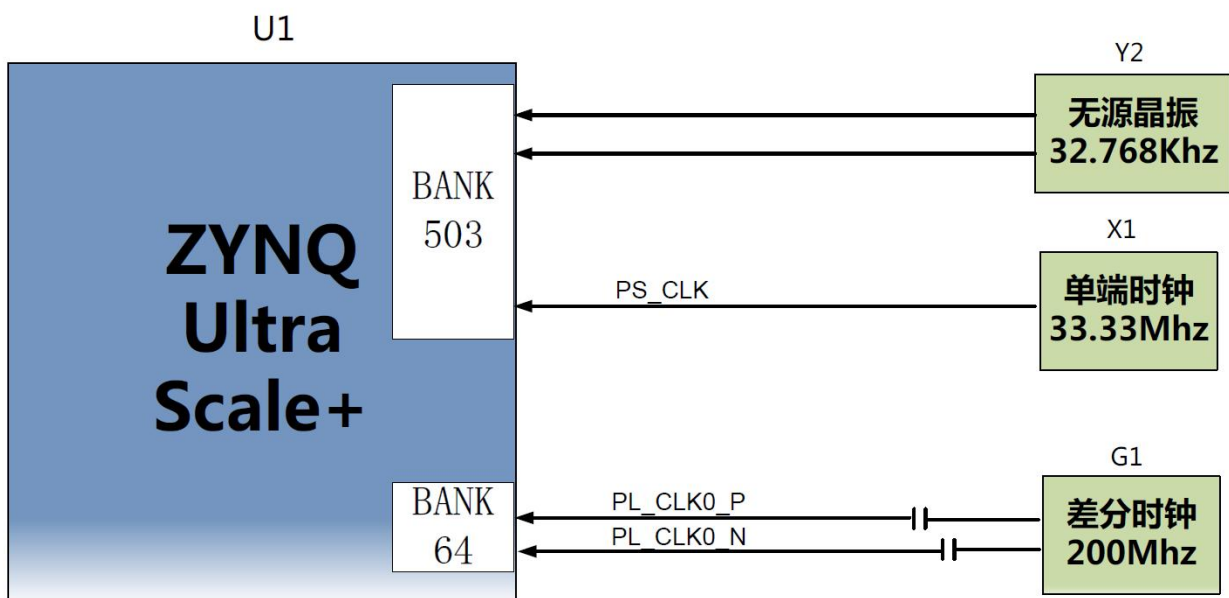


Figure 2-6-1: Core Board Clock Source

### PS System RTC Real Time Clock

The passive crystal Y2 on the core board provides a 32.768KHz real-time clock source for the PS system. The crystal is connected to the PS\_PADI\_503 and PS\_PADO\_503 pins of BANK503 of the ZYNQ chip. The schematic diagram is shown in Figure 2-6-2:

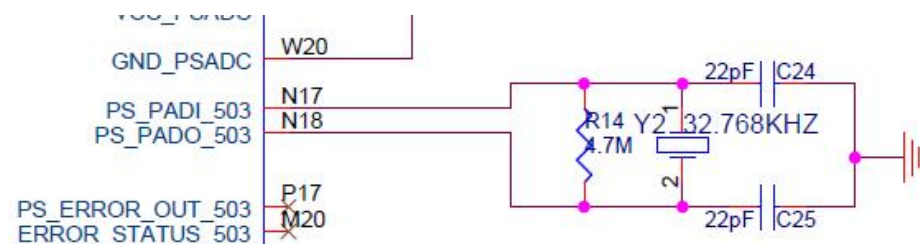


Figure 2-6-2: Passive Crystal Oscillator for RTC

**Clock pin assignment:**

Signal Name	Pin
PS_PADI_503	N17
PS_PADO_503	N18

**PS System Clock Source**

The X1 crystal on the core board provides a 33.333MHz clock input for the PS part. The clock input is connected to the PS\_REF\_CLK\_503 pin of BANK503 of the ZYNQ chip. The schematic diagram is shown in Figure 2-6-3:

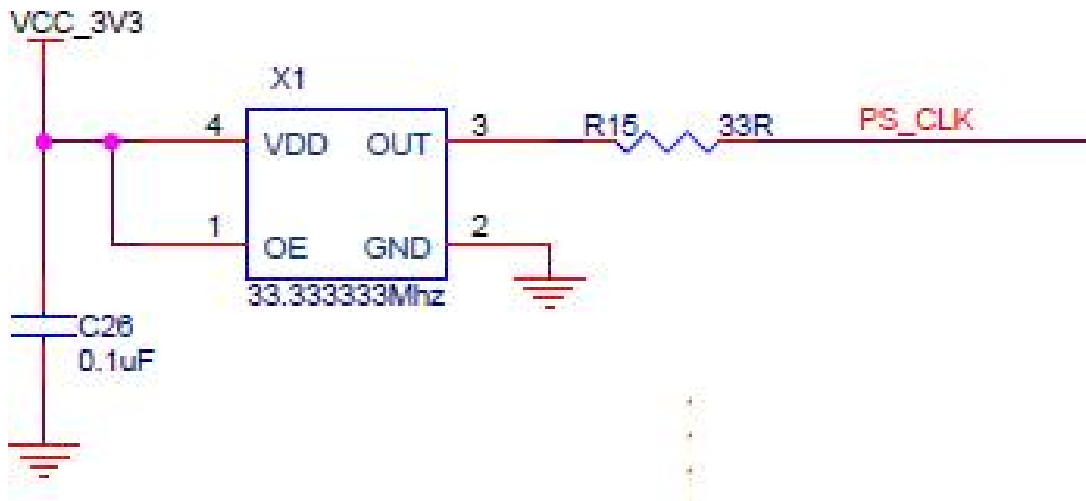


Figure 2-6-3: Active Crystal in PS part

**Clock pin assignment:**

Signal Name	Pin
PS_CLK	R16

**PL System Clock Source**

The core board provides a differential 200MHz PL system clock source for the reference clock of the DDR4 controller. The crystal oscillator output is connected to the global clock (MRCC) of PL BANK64. This global clock can be used to drive the DDR4 controller and user logic circuits in the FPGA. The schematic diagram of this clock source is shown in Figure 2-6-4

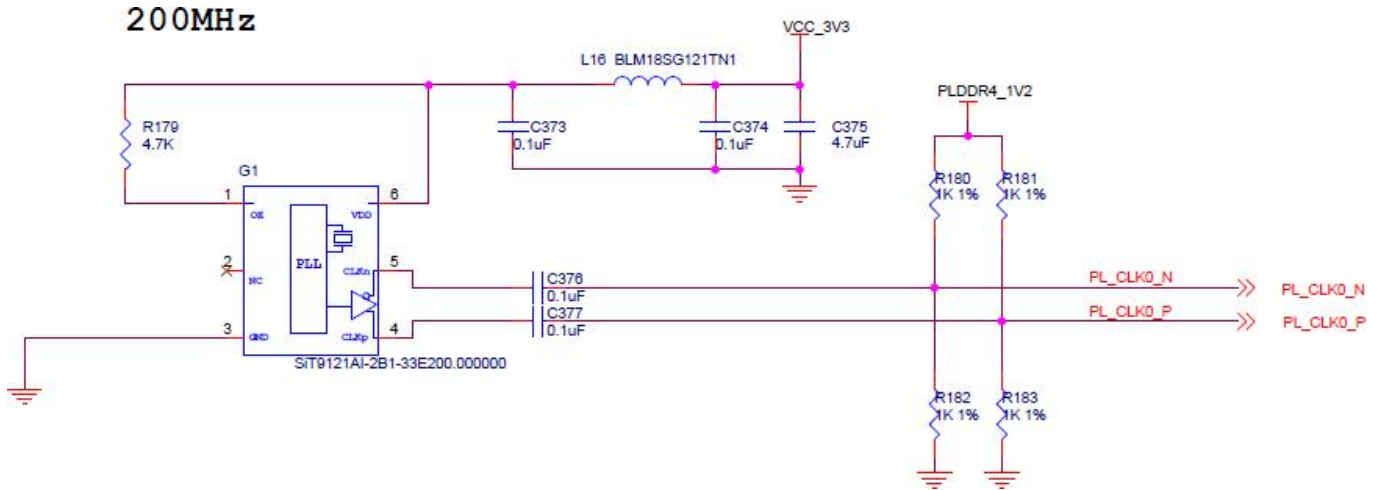


Figure 2-6-4: PL system clock source

**Clock pin assignment:**

Signal Name	Pin
PL_CLK0_P	AE5
PL_CLK0_N	AF5

**Part 2.7: LED**

There is a red power indicator (PWR) and a configuration LED (DONE) on the ACU2CG core board. When the core board is powered on, the power indicator will light up; after the FPGA configuration program, the configuration LED light will light up. The LED Schematic in the Core Board is shown in Figure 2-7-1:

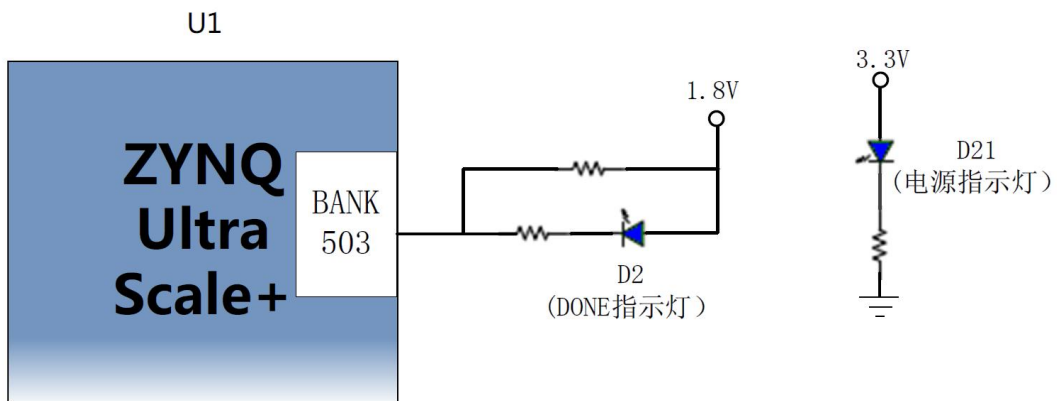
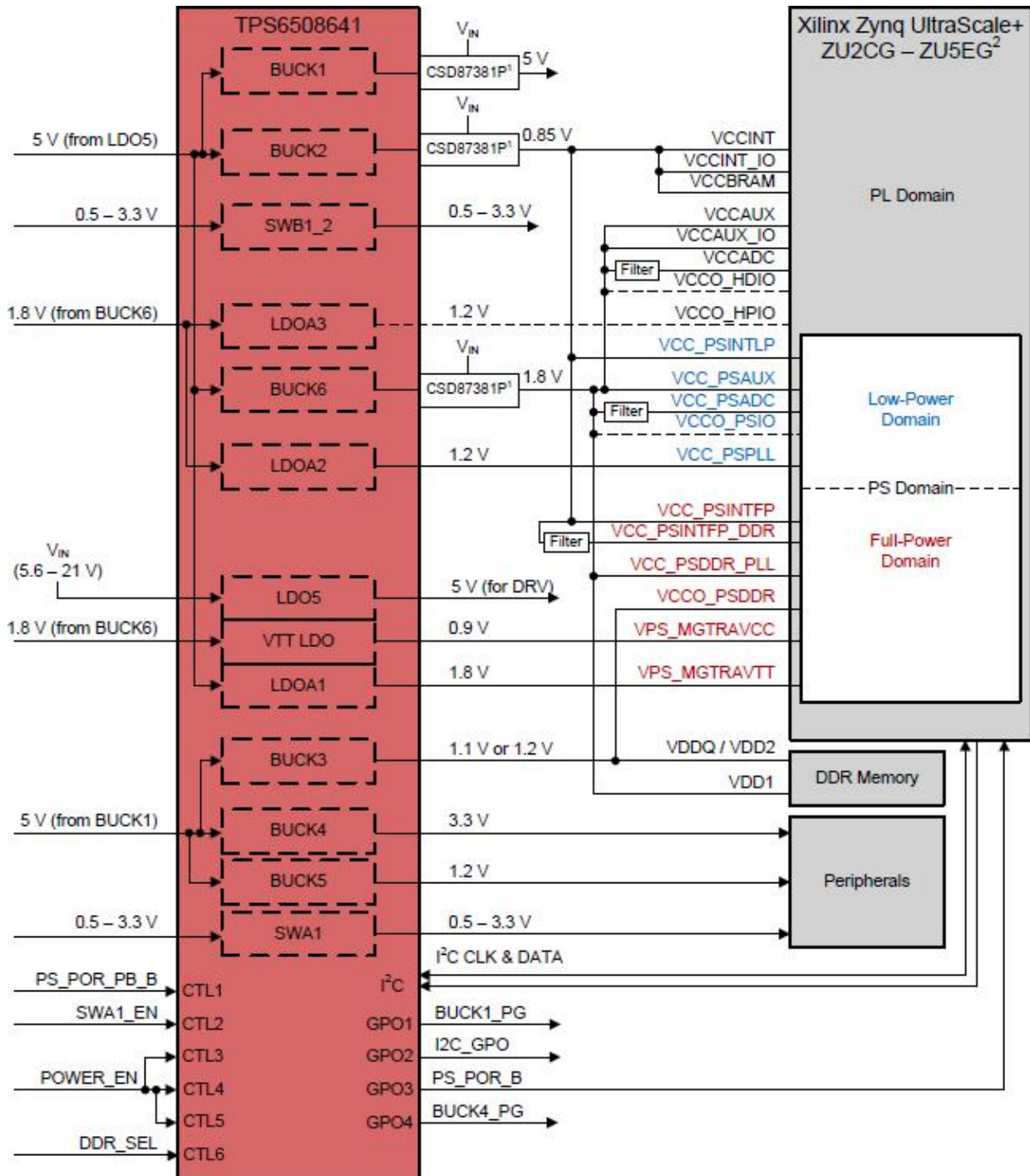


Figure 2-7-1: LED Schematic in the Core Board

## Part 2.8: Power Supply

The power supply voltage of the ACU2CG core board is DC12V, which is supplied by connecting the carrier board. The core board uses a PMIC chip TPS6508641 to generate all the power required by the XCZU2CG chip. For the TPS6508641 power supply design, please refer to the power supply chip manual. The design block diagram is as follows:





In addition, the VCCIO power supply of BANK65 and BANK66 of XCZU2CG chip is provided by the carrier board, which is convenient for users to modify, but the maximum power supply cannot exceed 1.8V.

## Part 2.9: ACU2CG Core Board Form Factor

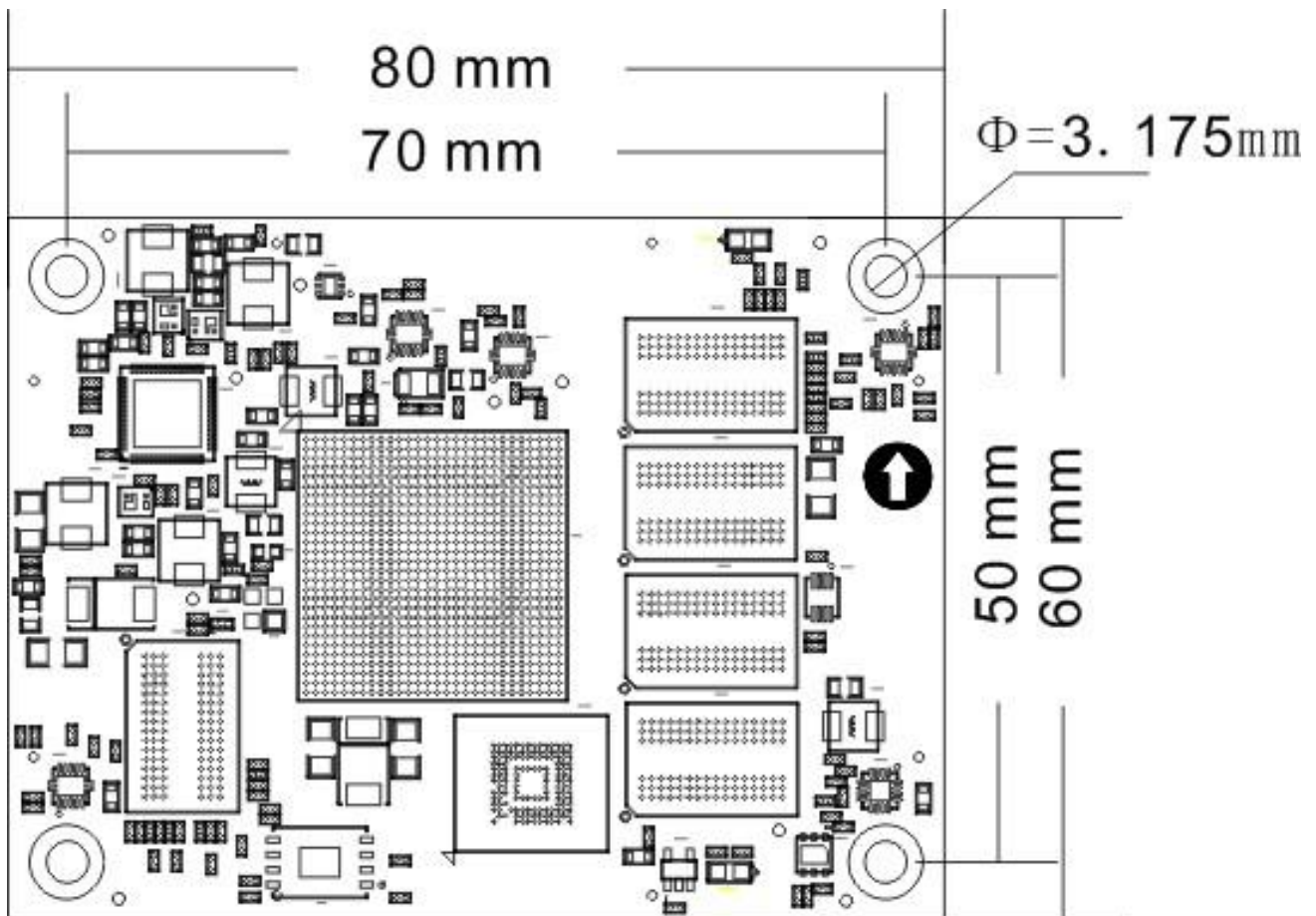


Figure 2-9-1: ACU2CG Core Board Form Factor

## Part 2.10: Board to Board Connectors pin assignment

The core board has a total of four high-speed expansion ports. It uses four 120-pin inter-board connectors (J29/J30/J31/J32) to connect to the carrier board.

The connectors used is Panasonic AXK5A2137YG, and the corresponding connector model in the carrier board is Panasonic AXK6A2337YG. Among

them, J29 is connected to the IO of BANK65 and BANK66, J30 is connected to the IO of BANK25, BANK26, BANK66 and the transceiver signal of BANK505 MGT, J31 is connected to the IO of BANK24 and BANK44, J32 is connected to the MIO, VCCO\_65, VCCO\_66 and +12V power supply of PS.

**Among them, the IO level standard of BANK43~46 is 3.3V, and the level standard of BANK65 and BANK66 is determined by the VCCO\_65 and VCCO\_66 power supply of the carrier board, but cannot exceed +1.8V; the level standard of MIO is also 1.8V.**

### Pin assignment of board to board connector J29

J29 Pin	Signal Name	Pin Number	J29 Pin	Signal Name	Pin Number
1	B65_L2_N	V9	2	B65_L22_P	K8
3	B65_L2_P	U9	4	B65_L22_N	K7
5	GND	-	6	GND	-
7	B65_L4_N	T8	8	B65_L20_P	J6
9	B65_L4_P	R8	10	B65_L20_N	H6
11	GND	-	12	GND	-
13	B65_L1_N	Y8	14	B65_L6_N	T6
15	B65_L1_P	W8	16	B65_L6_P	R6
17	GND	-	18	GND	-
19	B65_L7_P	L1	20	B65_L17_P	N9
21	B65_L7_N	K1	22	B65_L17_N	N8
23	GND	-	24	GND	-
25	B65_L15_P	N7	26	B65_L9_P	K2
27	B65_L15_N	N6	28	B65_L9_N	J2
29	GND	-	30	GND	-
31	B65_L16_P	P7	32	B65_L3_N	V8
33	B65_L16_N	P6	34	B65_L3_P	U8
35	GND	-	36	GND	-
37	B65_L14_P	M6	38	B65_L19_P	J5

39	B65_L14_N	L5	40	B65_L19_N	J4
41	GND	-	42	GND	-
43	B65_L5_N	T7	44	B65_L18_P	M8
45	B65_L5_P	R7	46	B65_L18_N	L8
47	GND	-	48	GND	-
49	B65_L11_N	K3	50	B65_L8_P	J1
51	B65_L11_P	K4	52	B65_L8_N	H1
53	GND	-	54	GND	-
55	B65_L10_N	H3	56	B65_L24_N	H8
57	B65_L10_P	H4	58	B65_L24_P	H9
59	GND	-	60	GND	-
61	B66_L3_P	F2	62	B65_L12_P	L3
63	B66_L3_N	E2	64	B65_L12_N	L2
65	GND	-	66	GND	-
67	B66_L1_P	G1	68	B65_L13_N	L6
69	B66_L1_N	F1	70	B65_L13_P	L7
71	GND	-	72	GND	-
73	B66_L6_P	G5	74	B65_L21_P	J7
75	B66_L6_N	F5	76	B65_L21_N	H7
77	GND	-	78	GND	-
79	B66_L16_P	G8	80	B65_L23_P	K9
81	B66_L16_N	F7	82	B65_L23_N	J9
83	GND	-	84	GND	-
85	B66_L15_P	G6	86	B66_L5_N	E3
87	B66_L15_N	F6	88	B66_L5_P	E4
89	GND	-	90	GND	-
91	B66_L4_P	G3	92	B66_L2_P	E1
93	B66_L4_N	F3	94	B66_L2_N	D1
95	GND	-	96	GND	-
97	B66_L11_P	D4	98	B66_L20_P	C6
99	B66_L11_N	C4	100	B66_L20_N	B6
101	GND	-	102	GND	-

103	B66_L12_P	C3	104	B66_L7_P	C1
105	B66_L12_N	C2	106	B66_L7_N	B1
107	GND	-	108	GND	-
109	B66_L13_N	D6	110	B66_L10_P	B4
111	B66_L13_P	D7	112	B66_L10_N	A4
113	GND	-	114	GND	-
115	B66_L8_N	A1	116	B66_L9_P	B3
117	B66_L8_P	A2	118	B66_L9_N	A3
119	GND	-	120	GND	-

### Pin assignment of board to board connector J30

J30 Pin	Signal Name	Pin Number	J30 Pin	Signal Name	Pin Number
1	B66_L14_P	E5	2	FPGA_TDI	R18
3	B66_L14_N	D5	4	FPGA_TCK	R19
5	GND	-	6	GND	-
7	B66_L22_P	C8	8	FPGA_TDO	T21
9	B66_L22_N	B8	10	FPGA_TMS	N21
11	GND	-	12	GND	-
13	B66_L19_N	A5	14	B66_L21_N	A6
15	B66_L19_P	B5	16	B66_L21_P	A7
17	GND	-	18	GND	-
19	B66_L24_P	C9	20	B66_L17_P	F8
21	B66_L24_N	B9	22	B66_L17_N	E8
23	GND	-	24	GND	-
25	B66_L23_N	A8	26	B25_L9_P	C11
27	B66_L23_P	A9	28	B25_L9_N	B10
29	GND	-	30	GND	-
31	B25_L5_N	F10	32	B25_L10_P	B11
33	B25_L5_P	G11	34	B25_L10_N	A10
35	GND	-	36	GND	-
37	B66_L18_N	D9	38	B25_L12_P	D12

39	B66_L18_P	E9	40	B25_L12_N	C12
41	GND	-	42	GND	-
43	B25_L4_N	H12	44	B25_L11_P	A12
45	B25_L4_P	J12	46	B25_L11_N	A11
47	GND	-	48	GND	-
49	B26_L11_P	K14	50	B25_L6_N	F11
51	B26_L11_N	J14	52	B25_L6_P	F12
53	GND	-	54	GND	-
55	B26_L10_N	H13	56	B26_L6_N	E13
57	B26_L10_P	H14	58	B26_L6_P	E14
59	GND	-	60	GND	-
61	B26_L7_N	F13	62	B26_L3_N	A13
63	B26_L7_P	G13	64	B26_L3_P	B13
65	GND	-	66	GND	-
67	B26_L9_N	G14	68	B26_L2_N	A14
69	B26_L9_P	G15	70	B26_L2_P	B14
71	GND	-	72	GND	-
73	B26_L5_N	D14	74	B26_L4_N	C13
79	B26_L5_P	D15	76	B26_L4_P	C14
77	GND	-	78	GND	-
79	B26_L1_P	B15	80	B26_L12_P	L14
81	B26_L1_N	A15	82	B26_L12_N	L13
83	GND	-	84	GND	-
85	505_CLK2_P	C21	86	505_CLK1_P	E21
87	505_CLK2_P	C22	88	505_CLK1_P	E22
89	GND	-	90	GND	-
91	505_CLK0_P	F23	92	505_CLK3_P	A21
93	505_CLK0_N	F24	94	505_CLK3_N	A22
95	GND	-	96	GND	-
97	505_TX3_P	B23	98	505_TX1_P	D23
99	505_TX3_N	B24	100	505_TX1_N	D24
101	GND	-	102	GND	-

103	505_RX3_P	A25	104	505_TX0_P	E25
105	505_RX3_N	A26	106	505_TX0_N	E26
107	GND	-	108	GND	-
109	505_TX2_P	C25	110	505_RX1_P	D27
111	505_TX2_N	C26	112	505_RX1_N	D28
113	GND	-	114	GND	-
115	505_RX2_P	B27	116	505_RX0_P	F27
117	505_RX2_N	B28	118	505_RX0_N	F28
119	GND	-	120	GND	-

### Pin assignment of board to board connector J31

J31 Pin	Signal Name	Pin Number	J31 Pin	Signal Name	Pin Number
1	B24_L10_P	Y14	2	B24_L7_P	AA13
3	B24_L10_N	Y13	4	B24_L7_N	AB13
5	GND	-	6	GND	-
7	B24_L6_P	AC14	8	B44_L6_P	AC12
9	B24_L6_N	AC13	10	B44_L6_N	AD12
11	GND	-	12	GND	-
13	B24_L5_P	AD15	14	B44_L7_P	AD11
15	B24_L5_N	AD14	16	B44_L7_N	AD10
17	GND	-	18	GND	-
19	B24_L1_P	AE15	20	B44_L8_N	AC11
21	B24_L1_N	AE14	22	B44_L8_P	AB11
23	GND	-	24	GND	-
25	B24_L12_P	Y12	26	B24_L2_P	AG14
27	B24_L12_N	AA12	28	B24_L2_N	AH14
29	GND	-	30	GND	-
31	B24_L3_P	AG13	32	-	-
33	B24_L3_N	AH13	34	-	-
35	GND	-	36	GND	-
37	B44_L12_N	AB9	38	B44_L9_P	AA11

39	B44_L12_P	AB10	40	B44_L9_N	AA10
41	GND	-	42	GND	-
43	B44_L10_N	Y10	44	B44_L3_P	AH12
45	B44_L10_P	W10	46	B44_L3_N	AH11
47	GND	-	48	GND	-
49	B24_L11_N	W11	50	B44_L1_N	AH10
51	B24_L11_P	W12	52	B44_L1_P	AG10
53	GND	-	54	GND	-
55	B24_L9_N	W13	56	B24_L4_P	AE13
57	B24_L9_P	W14	58	B24_L4_N	AF13
59	GND	-	60	GND	-
61	B24_L8_P	AB15	62	B44_L5_P	AE12
63	B24_L8_N	AB14	64	B44_L5_N	AF12
65	GND	-	66	GND	-
67	B44_L2_N	AG11	68	B44_L4_N	AF10
69	B44_L2_P	AF11	70	B44_L4_P	AE10
71	GND	-	72	GND	-
73	VBAT_IN	Y18	74	B44_L11_P	Y9
75	MR	-	76	B44_L11_N	AA8
77	GND	-	78	GND	-
79	-	-	80	PS_POR_B	P16
81	-	-	82	-	-
83	GND	-	84	GND	-
86	-	-	86	-	-
87	-	-	88	-	-
89	GND	-	90	GND	-
91	224_CLK0_P	Y6	92	224_CLK1_P	V6
93	224_CLK0_N	Y5	94	224_CLK1_N	V5
95	GND	-	96	GND	-
97	224_RX3_P	P2	98	224_TX3_P	N4
99	224_RX3_N	P1	100	224_TX3_N	N3
101	GND	-	102	GND	-

103	224_RX2_P	T2	104	224_TX2_P	R4
105	224_RX2_N	T1	106	224_TX2_N	R3
107	GND	-	108	GND	-
109	224_RX1_P	V2	110	224_TX1_P	U4
111	224_RX1_N	V1	112	224_TX1_N	U3
113	GND	-	114	GND	-
115	224_RX0_P	Y2	116	224_TX0_P	W4
117	224_RX0_N	Y1	118	224_TX0_N	W3
119	GND	-	120	GND	-

### Pin assignment of board to board connector J32

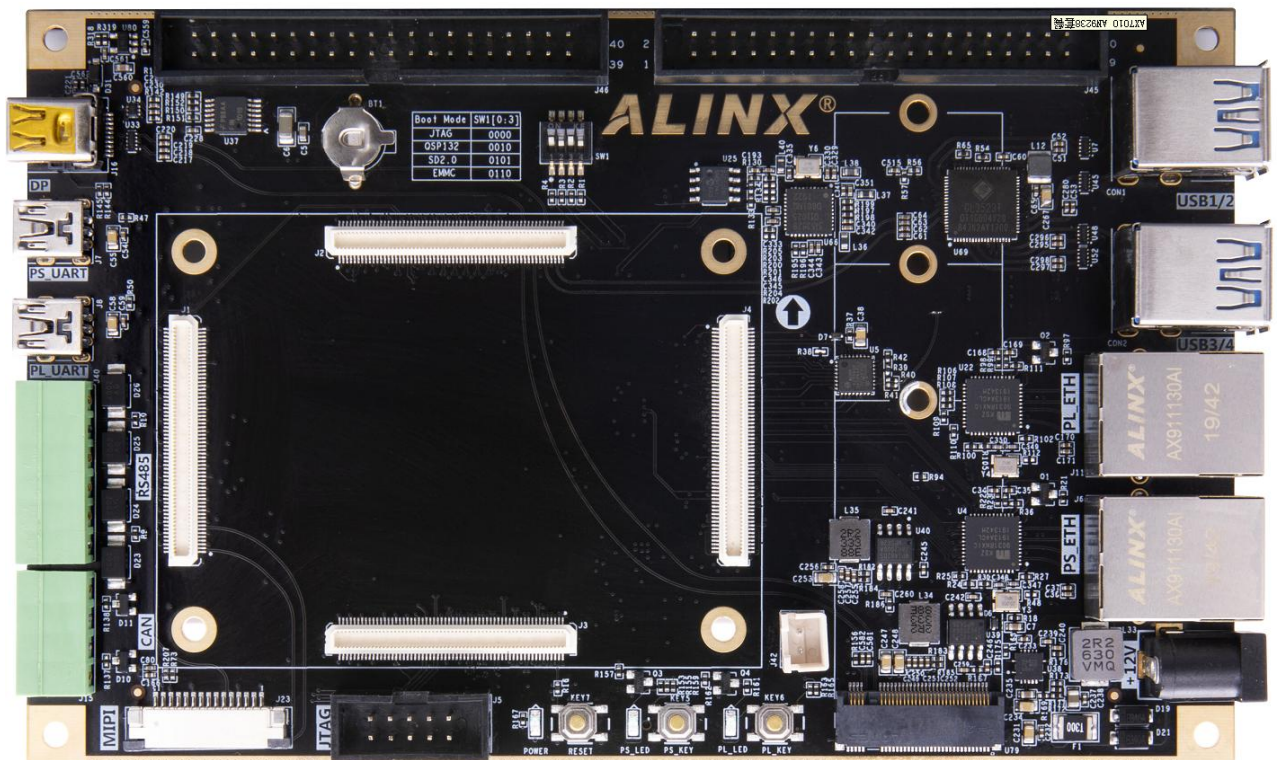
J32 Pin	Signal Name	Pin Number	J32 Pin	Signal Name	Pin Number
1	PS_MIO35	H17	2	PS_MIO30	F16
3	PS_MIO29	G16	4	PS_MIO31	H16
5	GND	-	-	GND	-
7	-	-	8	PS_MIO58	F18
9	-	-	10	PS_MIO53	D16
11	GND	-	12	GND	-
13	PS_MODE0	P19	14	PS_MIO52	G18
15	PS_MODE1	P20	16	PS_MIO55	B16
17	GND	-	18	GND	-
19	PS_MODE2	R20	20	PS_MIO56	C16
21	PS_MODE3	T20	22	PS_MIO57	A16
23	GND	-	24	GND	-
25	PS_MIO36	K17	26	PS_MIO54	F17
27	PS_MIO37	J17	28	PS_MIO27	J15
29	GND	-	30	GND	-
31	-	-	32	PS_MIO28	K15
33	PS_MIO77	F20	34	PS_MIO59	E17
35	GND	-	36	GND	-
37	PS_MIO76	B20	38	PS_MIO60	C17



39	-	-	40	PS_MIO61	D17
41	GND	-	42	GND	-
43	PS_MIO39	H19	44	PS_MIO62	A17
45	PS_MIO38	H18	46	PS_MIO63	E18
47	GND	-	48	GND	-
49	-	-	50	PS_MIO65	A18
51	PS_MIO40	K18	52	PS_MIO66	G19
53	GND	-	54	GND	-
55	PS_MIO44	J20	56	PS_MIO67	B18
57	PS_MIO45	K20	58	PS_MIO68	C18
59	GND	-	60	GND	-
61	PS_MIO47	H21	62	PS_MIO64	E19
63	PS_MIO48	J21	64	PS_MIO69	D19
65	GND	-	66	GND	-
67	PS_MIO41	J19	68	PS_MIO74	D20
69	PS_MIO32	J16	70	PS_MIO73	G21
71	GND	-	72	GND	-
73	PS_MIO46	L20	74	PS_MIO72	G20
75	PS_MIO50	M19	76	PS_MIO71	B19
77	GND	-	78	GND	-
79	PS_MIO49	M18	80	PS_MIO75	A19
81	PS_MIO34	L17	82	PS_MIO70	C19
83	GND	-	84	GND	-
85	PS_MIO26	L15	86	PS_MIO43	K19
87	PS_MIO24	AB19	88	PS_MIO51	L21
89	GND	-	90	GND	-
91	PS_MIO25	AB21	92	PS_MIO42	L18
93	-	-	94	PS_MIO33	L16
95	GND	-	96	GND	-
97	-	-	98	-	-
99	VCCO_65	-	100	VCCO_66	-
101	VCCO_65	-	102	VCCO_66	-

103	VCCO_65	-	104	VCCO_66	-
105	GND	-	106	GND	-
107	+12V	-	108	+12V	-
109	+12V	-	110	+12V	-
111	+12V	-	112	+12V	-
113	+12V	-	114	+12V	-
115	+12V	-	116	+12V	-
117	+12V	-	118	+12V	-
119	+12V	-	120	+12V	-

## Part 3: Carrier Board



### Part 3.1: Carrier Board Introduction

Through the previous function introduction, you can understand the function of the carrier board part

- 1-Channel M.2 interface
- 1-Channel DP output interface
- 4 USB 3.0 Interfaces
- 2-Channel 10/100M/1000M Ethernet RJ-45 interface
- 2-Channel USB Uart Interfaces
- 1-Channel Micro SD card slot
- 1-Channel MIPI camera interface
- 2-Channel 40-pin expansion port
- 2-Channel CAN communication interfaces
- 2-Channel 485 communication interfaces

- JTAG debugging interface
- 1-Channel temperature sensor
- 1-Channel EEPROM
- 1-Channel RTC real-time clock
- 3 LED lights
- 3 Keys

## Part 3.2: M.2 Interface

The AXU2CGB-E development board is equipped with a PCIe x1 standard M.2 interface for connecting M.2 SSD solid state drives, with a communication speed of up to 6Gbps. The M.2 interface uses the M key slot, which only supports PCI-E, not SATA. When users choose SSD solid state drives, they need to choose PCIe type SSD solid state drives.

The PCIe signal is directly connected to the BANK505 PS MGT transceiver of ZU2CG, and the TX signal and RX signal of one channel are connected to the LANE1 of MGT in a differential signal mode. The PCIe clock is provided by the Si5332 chip, the frequency is 100Mhz, and the schematic diagram of the M.2 circuit design is shown in Figure 3-2-1:

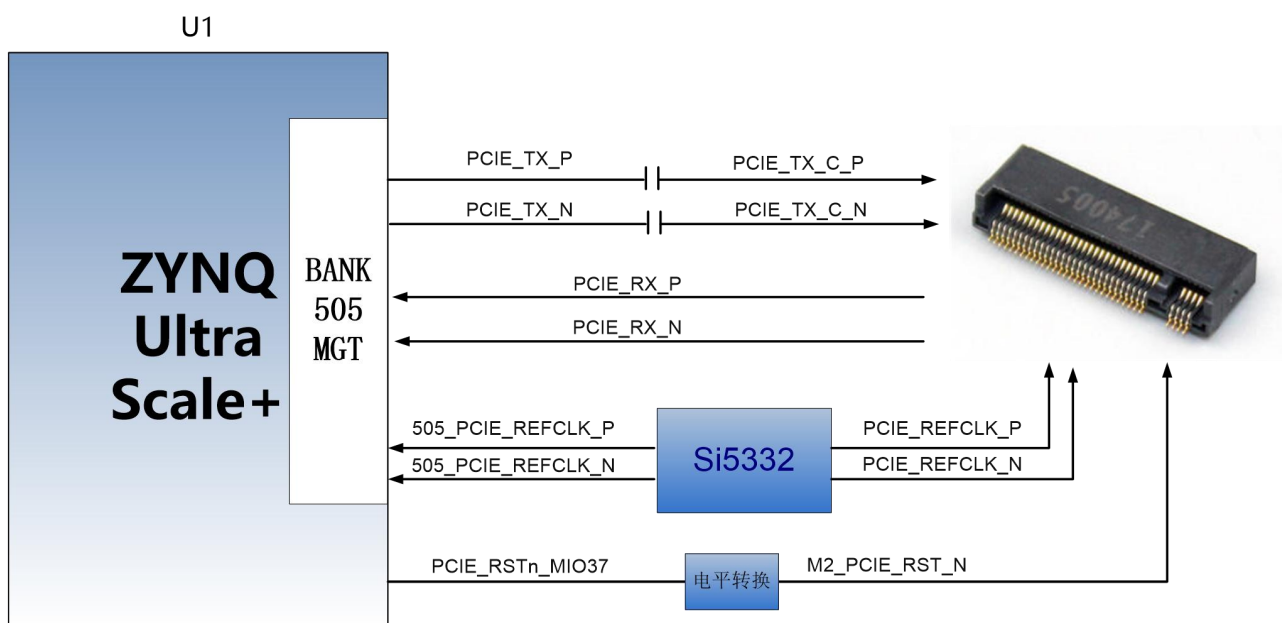


Figure 3-2-1: M.2 Interface Schematic

The pin assignment of M.2 interface ZYNQ is as follows:

Signal Name	Pin Name	Pin Number	Description
PCIE_TX_P	505_TX0_P	E25	PCIE Data Transmit Positive
PCIE_TX_N	505_TX0_N	E26	PCIE Data Transmit Negative
PCIE_RX_P	505_RX0_P	F27	PCIE Data Receive Positive
PCIE_RX_N	505_RX0_N	F28	PCIE Data Receive Negative
505_PCIE_REFCLK_P	505_CLK0_P	F23	PCIE Reference Clock Positive
505_PCIE_REFCLK_N	505_CLK0_N	F24	PCIE Reference Clock Negative
PCIE_RSTn_MIO37	PS_MIO37_501	J17	PCIE Reset Signal

### Part 3.3: DP Interface

The AXU2CGB-E development board has a standard DisplayPort output display interface for video image display. The interface supports VESA DisplayPort V1.2a output standard, up to 4K x 2K@30Fps output, supports Y-only, YCbCr444, YCbCr422, YCbCr420 and RGB video formats, each color supports 6, 8, 10, or 12 bits.

The DisplayPort data transmission channel is directly driven and output by the BANK505 PS MGT of ZU2CG, and the LANE2 and LANE3 TX signals of MGT are connected to the DP connector in a differential signal mode. The DisplayPort auxiliary channel is connected to the MIO pin of the PS. The schematic diagram of the DP output interface design is shown in Figure 3-3-1:

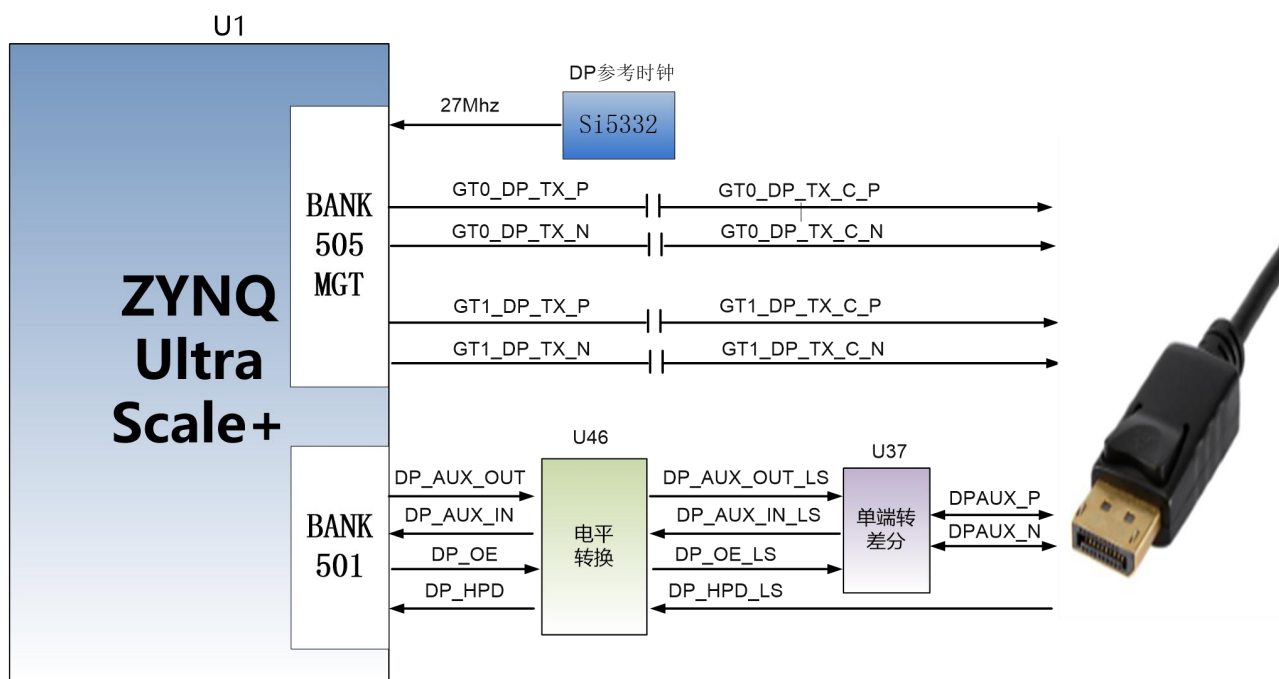


Figure 3-3-1: DP interface design Schematic

The DisplayPort interface ZYNQ pin assignment is as follows:

Signal Name	ZYNQ Pin Number	ZYNQ Pin Number	Description
GT0_DP_TX_P	505_TX3_P	B23	Low bits of DP Data Transmit Positive
GT0_DP_TX_N	505_TX3_N	B24	Low bits of DP Data Transmit Negative
GT1_DP_TX_P	505_TX2_P	C25	High bits of DP Data Transmit Positive
GT1_DP_TX_N	505_TX2_N	C26	High bits of DP Data Transmit Negative
505_CLK1_P	505_CLK2_P	C21	DP Reference Clock Positive
505_CLK1_N	505_CLK2_N	C22	DP Reference Clock Negative
DP_AUX_OUT	PS_MIO27	J15	DP Auxiliary Data Output
DP_AUX_IN	PS_MIO30	F16	DP Auxiliary Data Input
DP_OE	PS_MIO29	G16	DP Auxiliary Data Output Enable
DP_HPDP	PS_MIO28	K15	DP Insertion Signal Detection

### Part 3.4: USB3.0 interface

There are 4 USB3.0 ports on the AXU2CGB-E carrier board, supporting the HOST working mode, and the data transmission speed is up to 5.0Gb/s. USB3.0 is connected through the PIPE3 interface, and USB2.0 is connected to the external USB3320C chip through the ULPI interface to realize high-speed USB3.0 and USB2.0 data communication.

The USB interface is a flat USB interface (USB Type A), which is convenient for users to connect different USB Slave peripherals (such as USB mouse, keyboard or U disk) at the same time. The schematic diagram of USB3.0 connection is shown as 3-4-1:

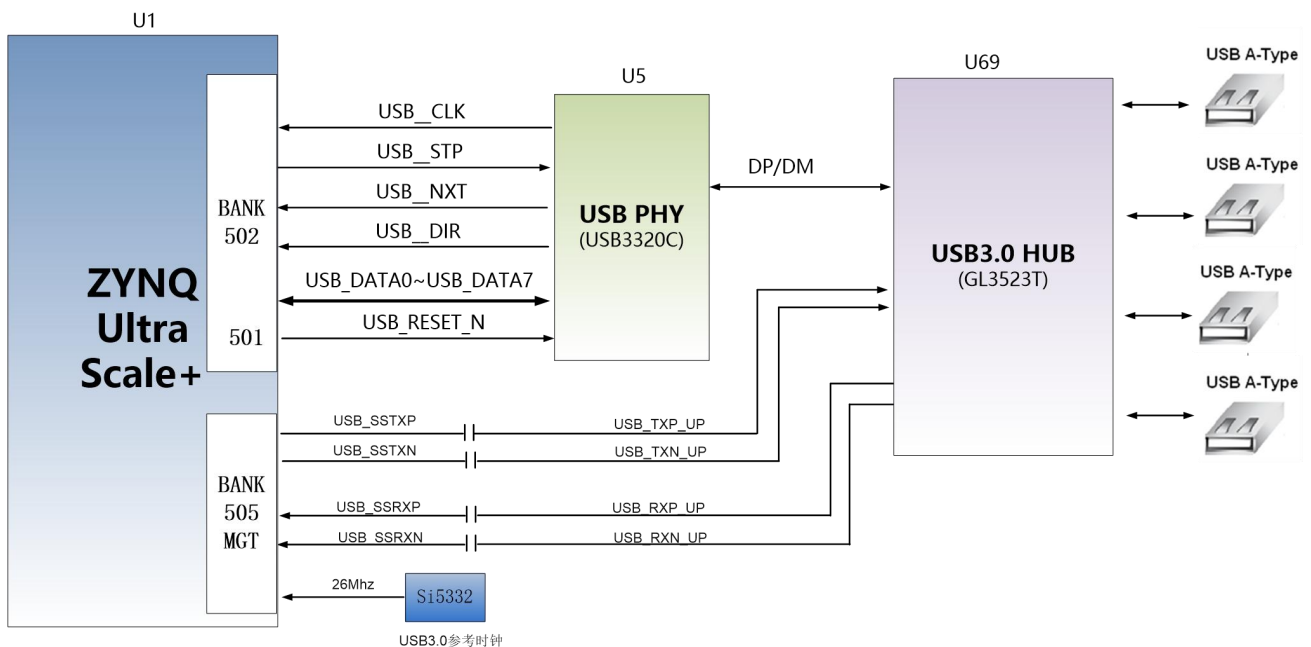


Figure 3-4-1: USB3.0 Interface Schematic

#### USB Interface Pin Assignment:

Signal Name	Pin Name	Pin Number	Description
USB_SSTXP	505_TX1_P	D23	USB3.0 Data Transmit Positive
USB_SSTXN	505_TX1_N	D24	USB3.0 Data Transmit Negative
USB_SSRXP	505_RX1_P	D27	USB3.0 Data Receive Positive
USB_SSRXN	505_RX1_N	D28	USB3.0 Data Receive Negative
USB_DATA0	PS_MIO56	C16	USB2.0 Data Bit0

USB_DATA1	PS_MIO57	A16	USB2.0 Data Bit1
USB_DATA2	PS_MIO54	F17	USB2.0 Data Bit2
USB_DATA3	PS_MIO59	E17	USB2.0 Data Bit3
USB_DATA4	PS_MIO60	C17	USB2.0 Data Bit4
USB_DATA5	PS_MIO61	D17	USB2.0 Data Bit5
USB_DATA6	PS_MIO62	A17	USB2.0 Data Bit6
USB_DATA7	PS_MIO63	E18	USB2.0 Data Bit7
USB_STP	PS_MIO58	F18	USB2.0 Stop Signal
USB_DIR	PS_MIO53	D16	USB2.0 Data Direction Signal
USB_CLK	PS_MIO52	G18	USB2.0 Clock Signal
USB_NXT	PS_MIO55	B16	USB2.0 Next Data Signal
USB_RESET_N	PS_MIO31	H16	USB2.0 Reset Signal

## Part 3.5: Gigabit Ethernet Interface

There are 2 Gigabit Ethernet ports on the AXU2CGB-E carrier board, one is connected to the PS end, and the other is connected to the PL end. The GPHY chip uses JLSemi JL2121-N040I Ethernet GPHY chip to provide users with network communication services. The Ethernet PHY chip on the PS side is connected to the MIO interface of the BANK502 of the PS side of ZYNQ. The Ethernet PHY chip on the PL side is connected to the IO of the BANK66. The JL2121-N040I chip supports 10/100/1000 Mbps network transmission rate, and communicates with the MAC layer of the ZU2CG system through the RGMII interface. JL2121-N040I supports MDI/MDX adaptation, various speed adaptation, Master/Slave adaptation, and MDIO bus for PHY register management.

When the JL2121-N040I is powered on, it will detect the level status of some specific IOs to determine its own operating mode. Table 3-5-1 describes the default settings after the GPHY chip is powered on.

Configuration Pin	Instructions	Configuration value
RXD3_ADR0 RXC_ADR1	MDIO/MDC Mode PHYaddress	PHY Address 001



RXCTL_ADR2		
RXD1_TXDLY	TX clock 2ns delay	delay
RXD0_RXDLY	RX clock 2ns delay	delay

Table 3-5-1: PHY chip default configuration value

When the network is connected to Gigabit Ethernet, the data transmission of ZYNQ and PHY chip JL2121-N040I is communicated through the RGMII bus, the transmission clock is 125Mhz, and the data is sampled on the rising edge and falling samples of the clock.

When the network is connected to 100M Ethernet, the data transmission of ZYNQ and PHY chip JL2121-N040I is communicated through RMII bus, and the transmission clock is 25Mhz. Data is sampled on the rising edge and falling samples of the clock.

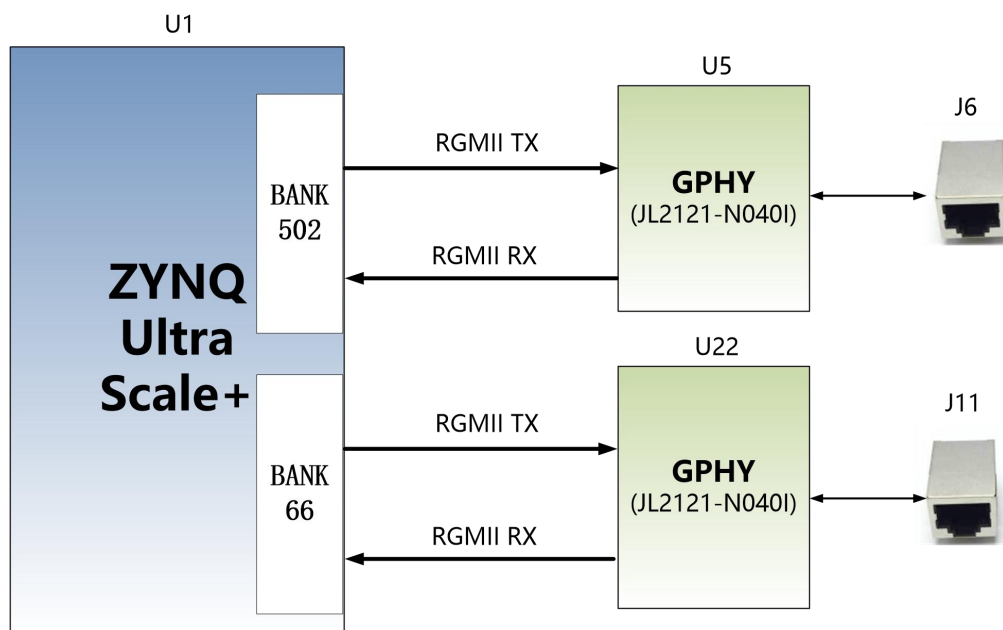


Figure 3-5-1: ZYNQ PS system and GPHY connection diagram

**The Gigabit Ethernet pin assignments are as follows:**

Signal Name	Pin Name	Pin Number	Description
-------------	----------	------------	-------------

PHY1_TXCK	PS_MIO64	E19	Ethernet 1 RGMII Transmit Clock
PHY1_TXD0	PS_MIO65	A18	Ethernet 1 Transmit data bit0
PHY1_TXD1	PS_MIO66	G19	Ethernet 1 Transmit data bit1
PHY1_TXD2	PS_MIO67	B18	Ethernet 1 Transmit data bit2
PHY1_TXD3	PS_MIO68	C18	Ethernet 1 Transmit data bit3
PHY1_TXCTL	PS_MIO69	D19	Ethernet 1 Transmit Enable Signal
PHY1_RXCK	PS_MIO70	C19	Ethernet 1 RGMII Receive Clock
PHY1_RXD0	PS_MIO71	B19	Ethernet 1 Receive Data Bit0
PHY1_RXD1	PS_MIO72	G20	Ethernet 1 Receive Data Bit1
PHY1_RXD2	PS_MIO73	G21	Ethernet 1 Receive Data Bit2
PHY1_RXD3	PS_MIO74	D20	Ethernet 1 Receive Data Bit3
PHY1_RXCTL	PS_MIO75	A19	Ethernet 1 Receive Enable Signal
PHY1_MDC	PS_MIO76	B20	Ethernet 1 MDIO Clock Management
PHY1_MDIO	PS_MIO77	F20	Ethernet 1 MDIO Management Data
PHY2_TXCK	B66_L17_N	E8	Ethernet 2 RGMII Transmit Clock
PHY2_TXD0	B66_L18_P	E9	Ethernet 2 Transmit data bit0
PHY2_TXD1	B66_L18_N	D9	Ethernet 2 Transmit data bit1
PHY2_TXD2	B66_L23_P	A9	Ethernet 2 Transmit data bit2
PHY2_TXD3	B66_L23_N	A8	Ethernet 2 Transmit data bit3
PHY2_TXCTL	B66_L24_N	B9	Ethernet 2 Transmit Enable Signal
PHY2_RXCK	B66_L14_P	E5	Ethernet 2 RGMII Receive Clock
PHY2_RXD0	B66_L19_N	A5	Ethernet 2 Receive Data Bit0
PHY2_RXD1	B66_L19_P	B5	Ethernet 2 Receive Data Bit1
PHY2_RXD2	B66_L17_P	F8	Ethernet 2 Receive Data Bit2
PHY2_RXD3	B66_L24_P	C9	Ethernet 2 Receive Data Bit3
PHY2_RXCTL	B66_L22_N	B8	Ethernet 2 Receive Enable Signal
PHY2_MDC	B66_L21_N	A6	Ethernet 2 MDIO Clock Management
PHY2_MDIO	B66_L22_P	C8	Ethernet 2 MDIO Management Data
PHY2_RESET	B66_L14_N	D5	Ethernet 2 Reset Signal

## Part 3.6: USB to Serial Port

The AXU2CGB-E carrier board is equipped with two Uart to USB ports, one is connected to the PS end, and one is connected to the PL end.

The conversion chip uses Silicon Labs CP2102GM's USB-UAR chip, and

the USB interface is a MINI USB interface. You can use a USB cable to connect it to the PC's USB port for serial data communication. The schematic diagram of the USB Uart circuit design is shown in the figure below:

The schematic diagram of the USB Uart circuit design is shown in Figure 3-6-1:

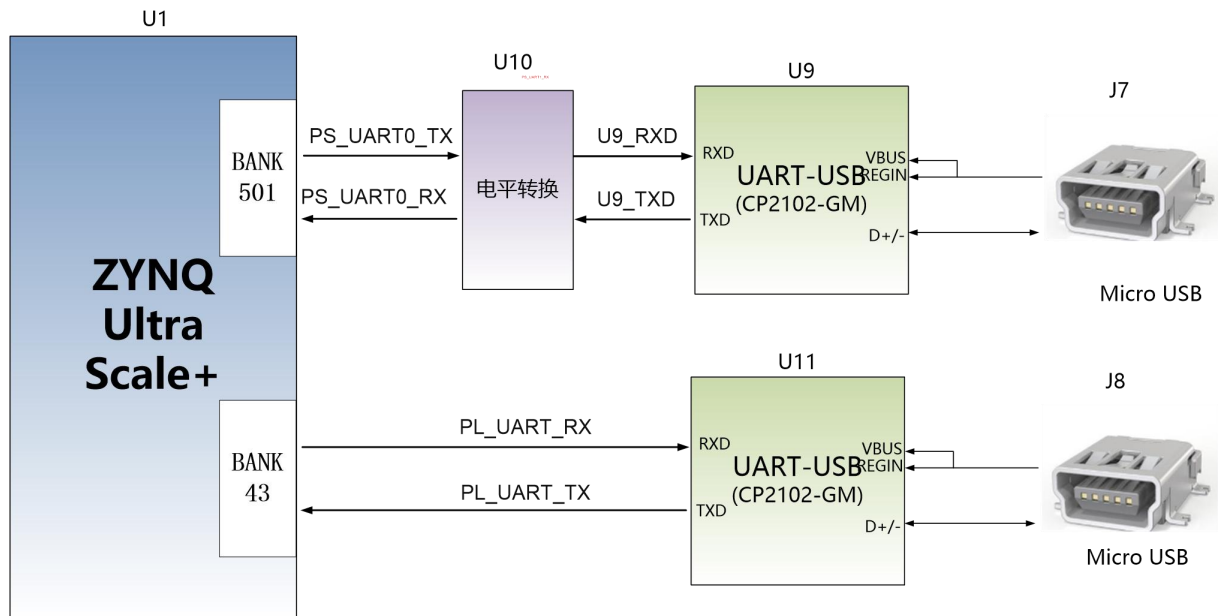


Figure 3-6-1: USB to serial port schematic

**USB to serial port ZYNQ pin assignment:**

Signal name	Pin Name	Pin Number	Description
PS_UART0_TX	PS_MIO43	K19	PS Uart Data Output
PS_UART0_RX	PS_MIO42	L18	PS Uart Data Input
PL_UART_TX	B43_L3_P	AH12	PL Uart Data Output
PL_UART_RX	B43_L3_N	AH11	PL Uart Data Input

**Part 3.7: SD Card Slot Interface**

The AXU2CGB-E FPGA Development Board contains a Micro SD card interface to provide user access to the SD card memory, the BOOT program for the ZU2CG chip, the Linux operating system kernel, the file

system and other user data files.

The SDIO signal is connected to the IO signal of the PS BANK501 of ZU2CG. Since the VCCMIO of the BANK is set to 1.8V, but the data level of the SD card is 3.3V, connected through the TXS02612 level shifter. The schematic of the Zynq7000 PS and SD card connector is shown in Figure 3-10-1:

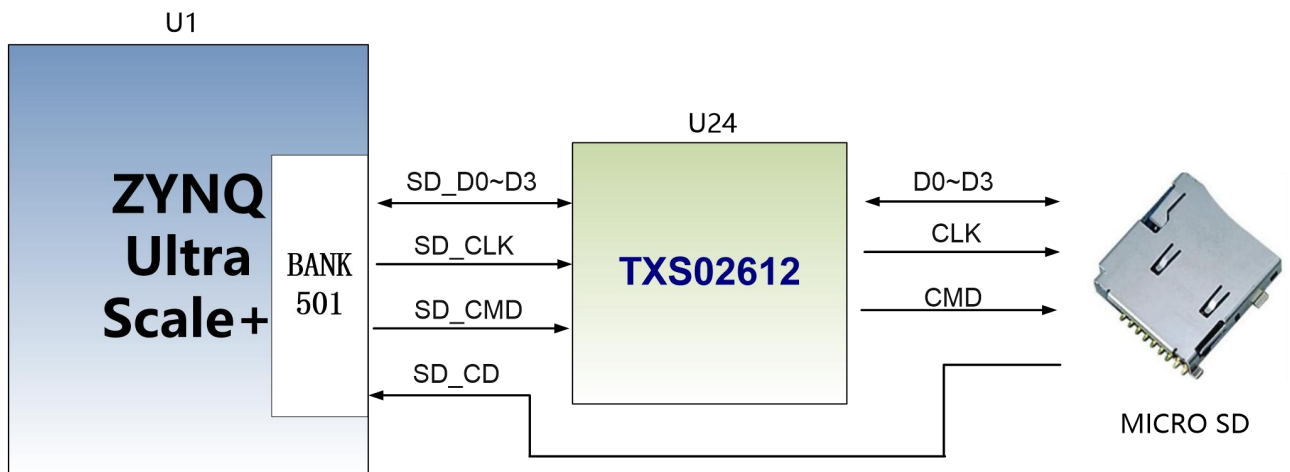


Figure 3-7-1: SD Card Connection Diagram

**SD card slot pin assignment:**

Signal Name	Pin Name	Pin Number	Description
SD_CLK	PS_MIO51	I21	SD Clock Signal
SD_CMD	PS_MIO50	M19	SD Command Signal
SD_D0	PS_MIO46	L20	SD Data0
SD_D1	PS_MIO47	H21	SD Data1
SD_D2	PS_MIO48	J21	SD Data2
SD_D3	PS_MIO49	M18	SD Data3
SD_CD	PS_MIO45	K20	SD card insertion signal

**Part 3.8: Expansion Header**

The AXU2CGB-E board is reserved with two 0.1-inch standard pitch 40-pin expansion ports J45 and J46, which are used to connect the ALINX modules or the external circuit designed by the user. The expansion port has 40 signals, of

which 1-channel 5V power supply, 2-channel 3.3 V power supply, 3-channel ground and 34 IOs. **Do not directly connect the IO directly to the 5V device to avoid burning the FPGA. If you want to connect 5V equipment, you need to connect level conversion chip.**

### J45 Expansion Header Pin Assignment

J45 Pin	Signal Name	Pin Number	J45 Pin	Signal Name	Pin Number
1	GND	-	2	+5V	-
3	B45_L9_N	B10	4	B45_L9_P	C11
5	B45_L5_N	F10	6	B45_L5_P	G11
7	B45_L12_N	C12	8	B45_L12_P	D12
9	B45_L11_N	A11	10	B45_L11_P	A12
11	B45_L6_N	F11	12	B45_L6_P	F12
13	B46_L6_N	E13	14	B46_L6_P	E14
15	B46_L3_N	A13	16	B46_L3_P	B13
17	B46_L2_N	A14	18	B46_L2_P	B14
19	B46_L4_N	C13	20	B46_L4_P	C14
21	B46_L12_N	L13	22	B46_L12_P	L14
23	B45_L4_N	H12	24	B45_L4_P	J12
25	B46_L11_N	J14	26	B46_L11_P	K14
27	B46_L10_N	H13	28	B46_L10_P	H14
29	B46_L7_N	F13	30	B46_L7_P	G13
31	B46_L9_N	G14	32	B46_L9_P	G15
33	B46_L5_N	D14	34	B46_L5_P	D15
35	B46_L1_N	A15	36	B46_L1_P	B15
37	GND	-	38	GND	-
39	+3.3V	-	40	+3.3V	-

### J46 Expansion Header Pin Assignment

J46 Pin	Signal Name	Pin Number	J46 Pin	Signal Name	Pin Number
1	GND	-	2	+5V	-
3	B43_L2_N	AG11	4	B43_L2_P	AF11
5	B44_L8_N	AB14	6	B44_L8_P	AB15
7	B44_L9_N	W13	8	B44_L9_P	W14
9	B44_L11_N	W11	10	B44_L11_P	W12

11	B43_L10_N	Y10	12	B43_L10_P	W10
13	B43_L12_N	AB9	14	B43_L12_P	AB10
15	B44_L3_N	AH13	16	B44_L3_P	AG13
17	B44_L12_N	AA12	18	B44_L12_P	Y12
19	B44_L1_N	AE14	20	B44_L1_P	AE15
21	B44_L5_N	AD14	22	B44_L5_P	AD15
23	B44_L6_N	AC13	24	B44_L6_P	AC14
25	B44_L10_N	Y13	26	B44_L10_P	Y14
27	B44_L2_N	AH14	28	B44_L2_P	AG14
29	B43_L8_N	AC11	30	B43_L8_P	AB11
31	B43_L7_N	AD10	32	B43_L7_P	AD11
33	B43_L6_N	AD12	34	B43_L6_P	AC12
35	B44_L7_N	AB13	36	B44_L7_P	AA13
37	GND	-	38	GND	-
39	+3.3V	-	40	+3.3V	-

### Part 3.9: CAN communication interface

There are 2 CAN communication interfaces on the AXU2CGB-E carrier board, which are connected to the MIO interface of the BANK501 on the PS system side. The CAN transceiver chip selected TI's SN65HVD232C chip for user CAN communication services. The connection of the CAN transceiver chip on the PS side is show as Figure 3-9-1

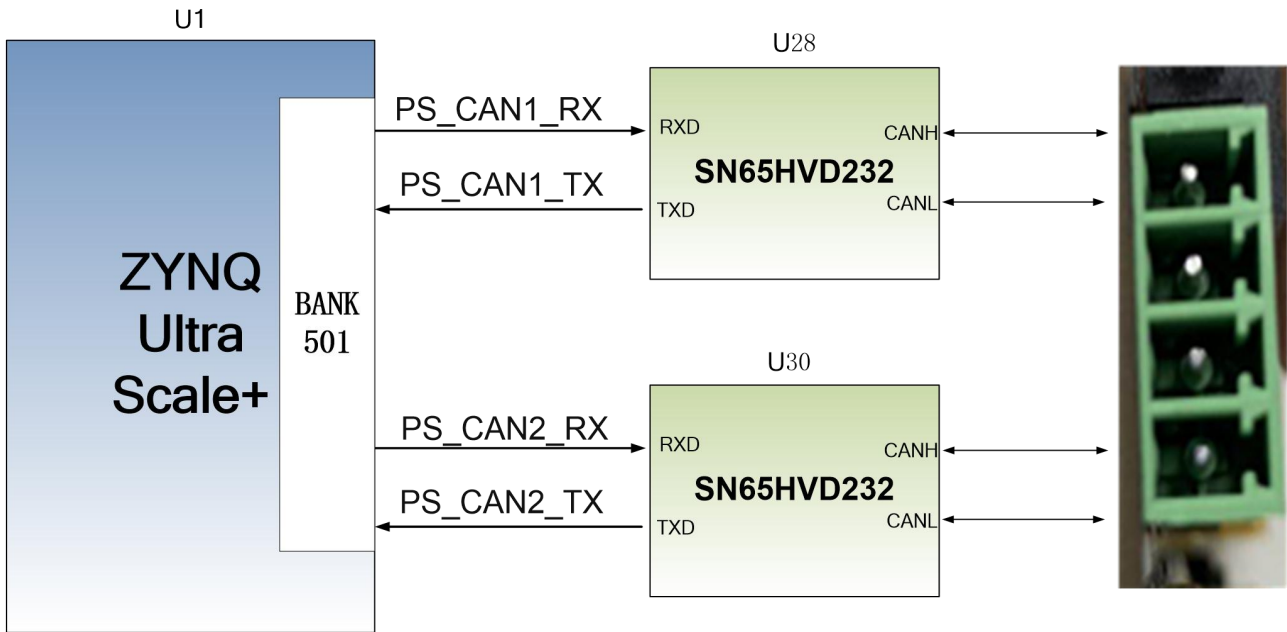


Figure 3-9-1: Connection diagram of CAN transceiver chip on PS side

**The CAN communication pin assignments are as follows:**

Signal Name	ZYNQ Pin Name	ZYNQ Pin Number	Description
PS_CAN1_TX	PS_MIO32	J16	CAN1 Receiver
PS_CAN1_RX	PS_MIO33	L16	CAN1 Transmitter
PS_CAN2_TX	PS_MIO39	H19	CAN2 Receiver
PS_CAN2_RX	PS_MIO38	H18	CAN2 Transmitter

### Part 3.10: 485 communication interface

There are two 485 communication interfaces on the AXU2CGB-E carrier board. The 485 communication port 1 is connected to the IO interface of BANK43~45 on the PL system. The 485 transceiver chip selects the MAX3485 chip from MAXIM for the user's 485 communication service.

Figure 3-10-1 is the connection diagram of the 485 transceiver chip on the PL side

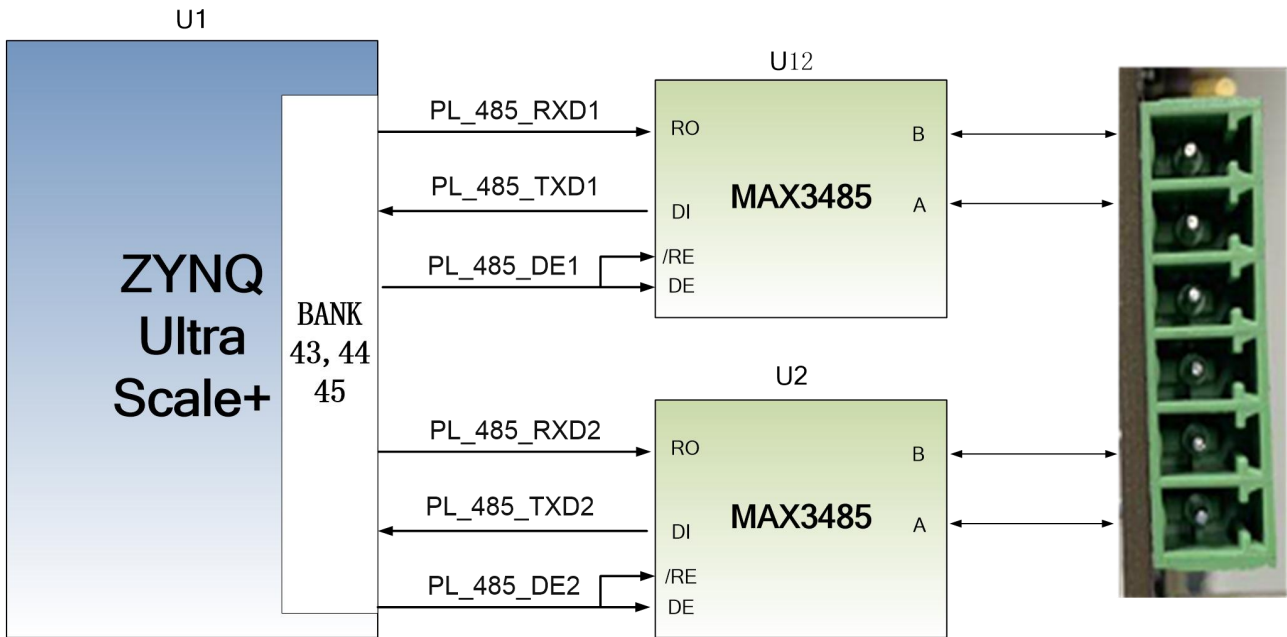


Figure 3-10-1: 485 Communication on the PL Side

**The 485 communication pins are assigned as follows:**

Signal Name	Pin Name	Pin Number	Description
PL_485_TXD1	B43_L1_N	AH10	The 1 <sup>st</sup> Channel 485 Transceiver
PL_485_RXD1	B44_L4_P	AE13	The 1 <sup>st</sup> Channel 485 Receiver
PL_485_DE1	B45_L10_P	B11	The 1 <sup>st</sup> Channel 485 Transmit Enable
PL_485_TXD2	B43_L1_N	AG10	The 2 <sup>nd</sup> Channel 485 Transceiver
PL_485_RXD2	B44_L4_N	AF13	The 2 <sup>nd</sup> Channel 485 Receiver
PL_485_DE2	B45_L10_N	A10	The 2 <sup>nd</sup> Channel 485 Transmit Enable

### Part 3.11: MIPI camera interface

The AXU2CGB-E carrier board includes a MIPI camera interface, which can be used to connect with the ALINX Brand MIPI OV5640 camera module AN5641. MIPI interface 15PIN FPC connector, 2 LANE data and 1 pair of clock, connected to the differential IO pin of BANK65, the level standard is 1.2V; other control signals are connected to the IO of BANK43, level standard It is 3.3V.

The circuit schematic of the MIPI interface part is shown in Figure 3-11-1



below:

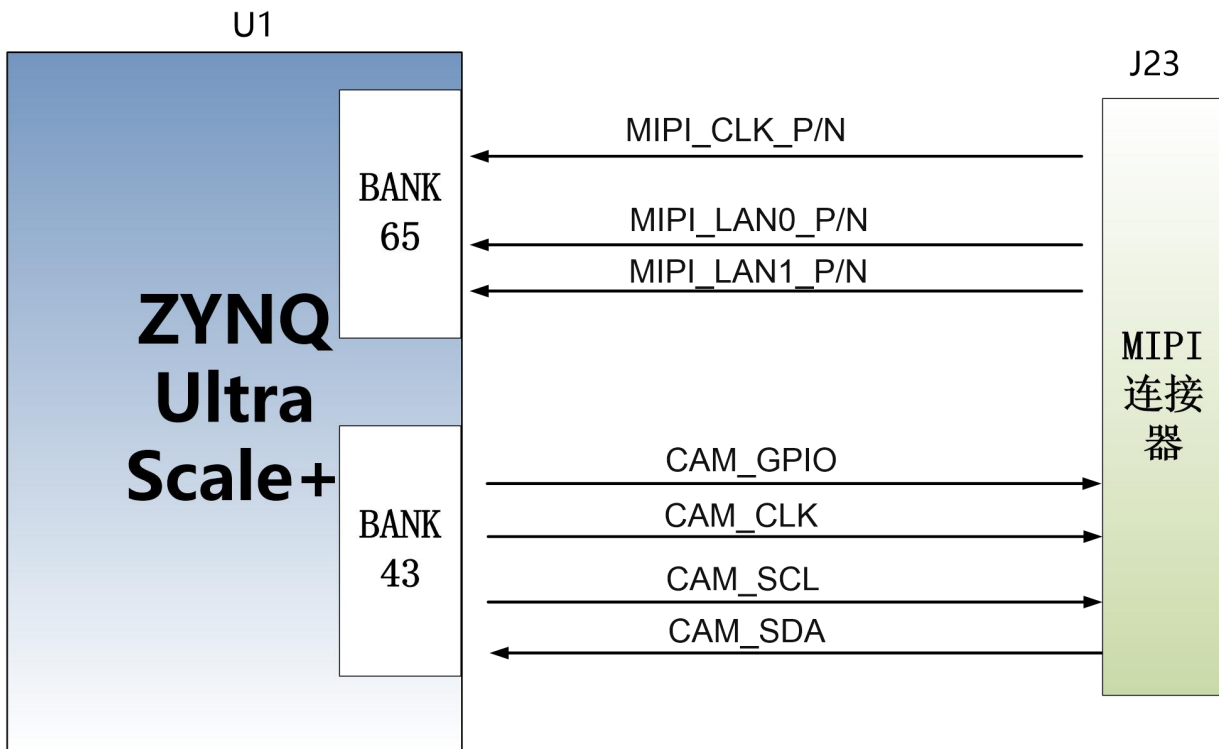


Figure 3-11-1: MIPI camera interface design schematic

### MIPI interface pin assignment

Signal Name	ZYNQ Pin Name	ZYNQ Pin Number	Description
MIPI_CLK_P	B65_L1_P	W8	MIPI Input Clock Positive
MIPI_CLK_N	B65_L1_N	Y8	MIPI Input Clock Negative
MIPI_LAN0_P	B65_L2_P	U9	MIPI Input Data LANE0 Positive
MIPI_LAN0_N	B65_L2_N	V9	MIPI Input Data LANE0 Negative
MIPI_LAN1_P	B65_L3_P	U8	MIPI Input Data LANE1 Positive
MIPI_LAN1_N	B65_L3_N	V8	MIPI Input Data LANE1 Negative
CAM_GPIO	B43_L4_P	AE10	GPIO Control of Camera
CAM_CLK	B43_L4_N	AF10	Clock Input of Camera
CAM_SCL	B43_L11_P	Y9	I2C Clock of Camera
CAM_SDA	B43_L11_N	AA8	I2C Data of Camera

### Part 3.12: JTAG Debug Port

The JTAG interface is reserved on the AXU2CGB-E expansion board for

downloading ZYNQ UltraScale+ programs or firmware programs to FLASH. In order to not damage the ZYNQ UltraScale+ chip by plugging and unplugging under power, we added a protection diode to the JTAG signal to ensure that the signal voltage is within the range accepted by the FPGA and avoid damage to the ZYNQ UltraScale+ chip.

### JTAG Connector

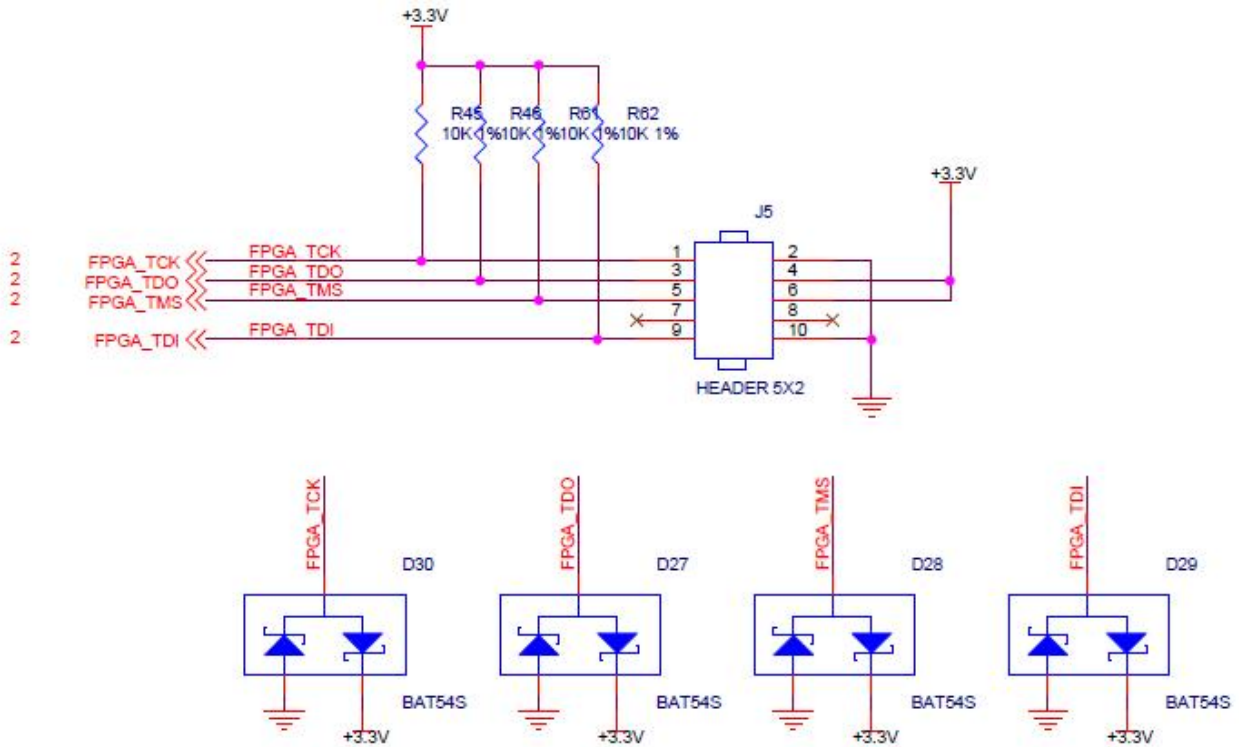


Figure 3-12-1: JTAG Interface Schematic

## Part 3.13: Real-time clock

The ZU2CG chip has the function of an RTC real-time clock, with timing functions such as year, month, day, hour, minute, and second, and week. External need to connect a 32.768KHz passive clock to provide an accurate clock source to the internal clock circuit, so that the RTC can accurately provide clock information. At the same time, in order for the real-time clock to operate normally after the product is powered off, it is generally necessary to equip the coin battery (**model LR1130, voltage is 5V**) to supply power to the clock chip.

The BT1 on the development board is a battery Socket. After we put the coin battery, even the system is off, the coin battery can also power the RTC system and provide continuous time information.

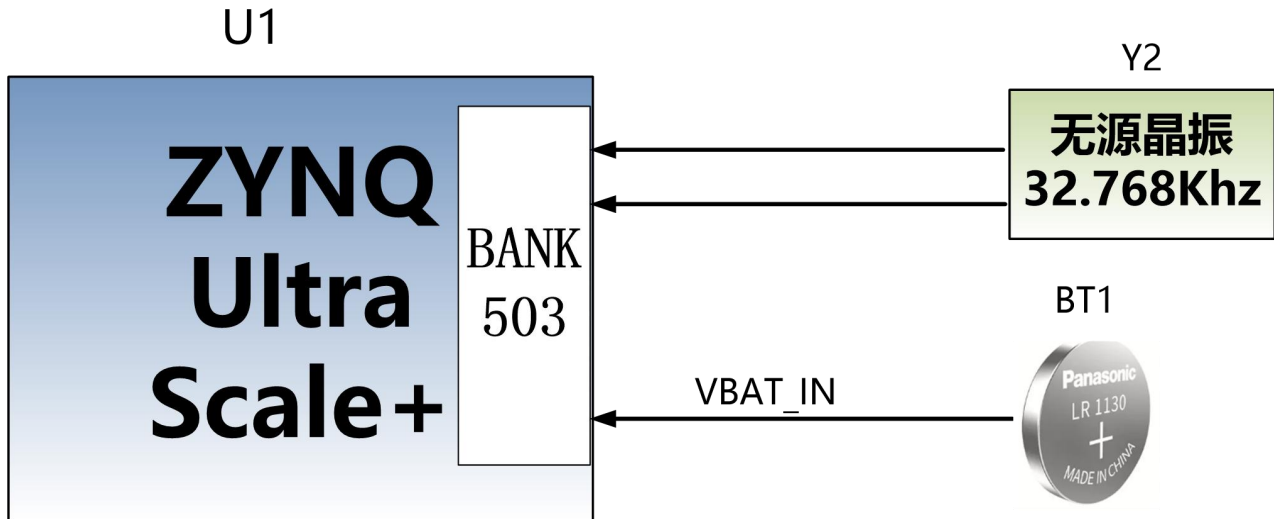


Figure 3-13-1: RTC Schematic

### Part 3.14: EEPROM and Temperature sensor

The AXU2CGB-E Fpga development board has an EEPROM onboard. The model of the EEPROM is 24LC04, and the capacity is: 4Kbit ( $2 * 256 * 8\text{bit}$ ), which is connected to the PS terminal through the IIC bus.

A high-precision, low-power, digital temperature sensor chip is installed on the AXU2CGB-E FPGA development board, and the model is LM75 from ON Semiconductor. The temperature accuracy of the LM75 chip is 0.5 degrees.

The EEPROM and temperature sensor are mounted on the Bank500 MIO of ZYNQ UltraScale+ through the I2C bus. Figure 3-14-1 is the schematic diagram of EEPROM and temperature sensor

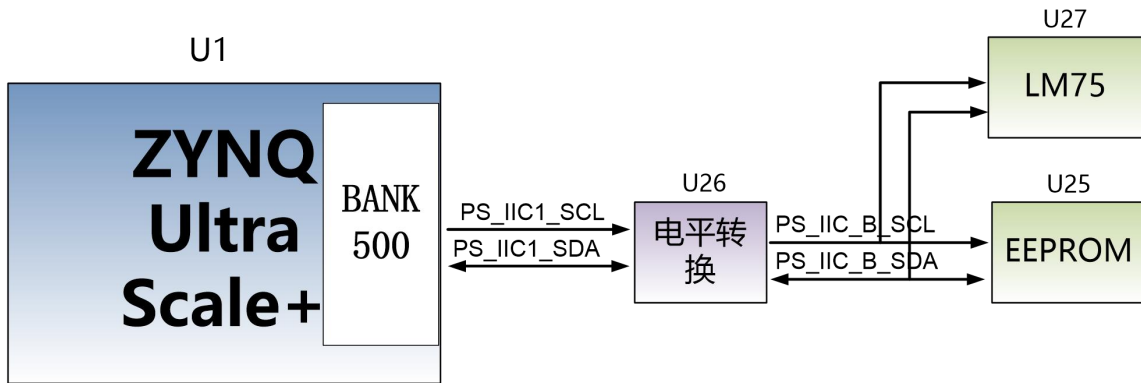


Figure 3-14-1: EEPROM and Sensor connection diagram

**EEPROM pin assignment:**

Signal Name	ZYNQ Pin Name	ZYNQ Pin Number	Description
PS_IIC1_SCL	PS_MIO24	AB19	IIC Clock Signal
PS_IIC1_SDA	PS_MIO25	AB21	IIC Data Signal

**Part 3.15: User LEDs**

There are 3 LEDs on the AXU2CGB-E Carrier board. including 1 power indicator light, 1 User LED Controlled by PS side, and 1 User LED Controlled by PL side. The user can control the user LED on and off through the program. When the IO voltage of the connected user LED light is low, the user LED light is off, and when the connected IO voltage is high, the user LED will be lit. The schematic diagram of the user's LED light hardware connection is shown in Figure 3-15-1:

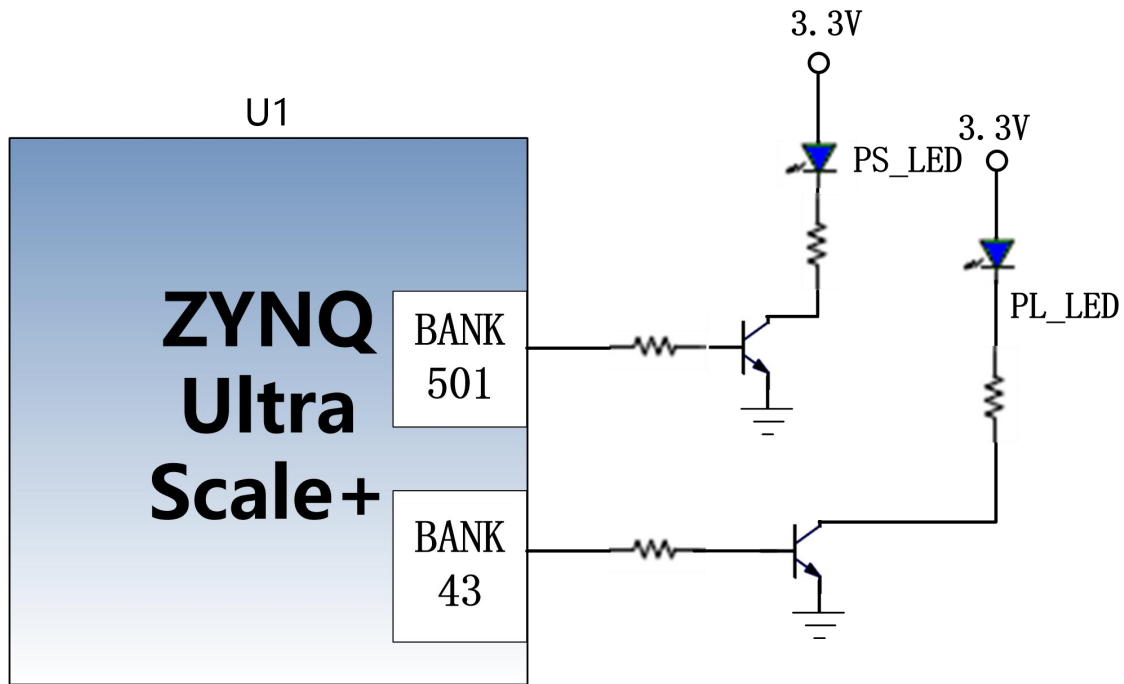


Figure 3-15-1: The User LEDs Hardware Connection Diagram

**Pin assignment of user LED lights**

Signal Name	ZYNQ Pin Name	ZYNQ Pin Number	Description
PS_LED1	PS_MIO40	K18	User LED controlled by PS
PL_LED1	B43_L5_P	AE12	User LED controlled by PL

**Part 3.16: Keys**

There are 1 reset KEY RESET and 2 user buttons on the AXU2CGB-E carrier board. The reset signal is connected to the reset chip input of the core board ACU3EG, and the user can use this reset KEY to reset the ZYNQ system. One user KEY is connected to the MIO of the PS, and one is connected to the IO of the PL. The reset KEY and the user KEYS are both low-level active. The connection diagram of the user key is shown in Figure 3-16-1:

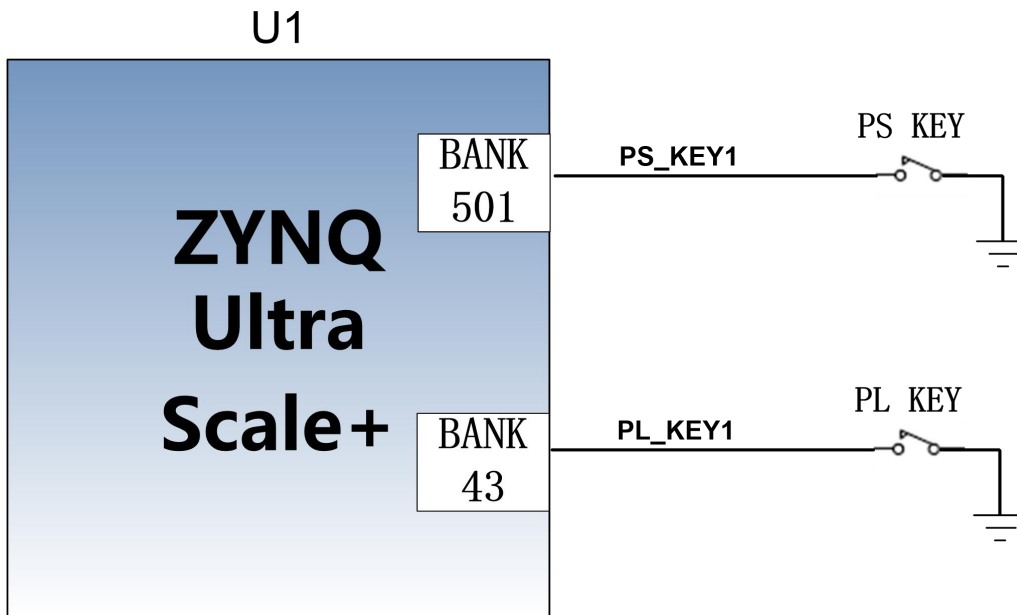


Figure 3-16-1: Rest keys connection diagram

**ZYNQ pin assignment of keys**

Signal Name	ZYNQ Pin Name	ZYNQ Pin Number	Description
PS_KEY1	PS_MIO26	L15	PS KEY1 Input
PL_KEY1	B43_L5_N	AF12	PL KEY1 Input

**Part 3.17: DIP Switch Configuration**

There is a 4-digit DIP switch SW1 on the FPGA development board to configure the startup mode of the ZYNQ system. The AXU2CGB-E system development platform supports 4 startup modes. The 4 startup modes are JTAG debug mode, QSPI FLASH, EMMC and SD2.0 card startup mode. After ZU2CG chip is powered on, it will detect the level of (PS\_MODE0~3) to determine the startup mode. The user can select different startup modes through the DIP switch SW1 on the expansion board. The SW1 startup mode configuration is shown in the following table 3-17-1.

SW1	Dial Position (1, 2, 3, 4)	MODE[3:0]	Start mode
-----	----------------------------	-----------	------------

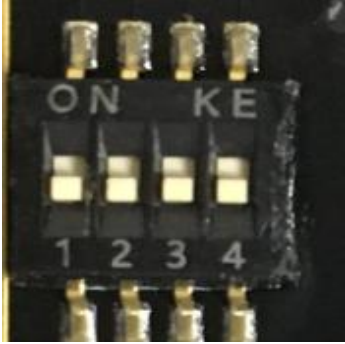
	ON, ON, ON, ON	0000	PS JTAG
	ON, ON, OFF, ON	0010	QSPI FLASH
	ON, OFF, ON, OFF	0101	SD Card
	ON, OFF, OFF, ON	0110	EMMC

Table 3-17-1

### Part 3.18: Power Supply

The power input voltage of the AXU2CGB-E development board is DC12V. In the carrier board, the DC12V is converted into +5V, +3.3V, and +1.8V through one-way DC/DC power chip TPS54620 and two-way DC/DC power chip MP1482. In addition, the Carrier board generates +1.2V through LDO to supply power to the core board BANK65, and the power supply of BANK66 is +1.8V. The schematic diagram of the power supply design on the board is shown in Figure 3-18-1:

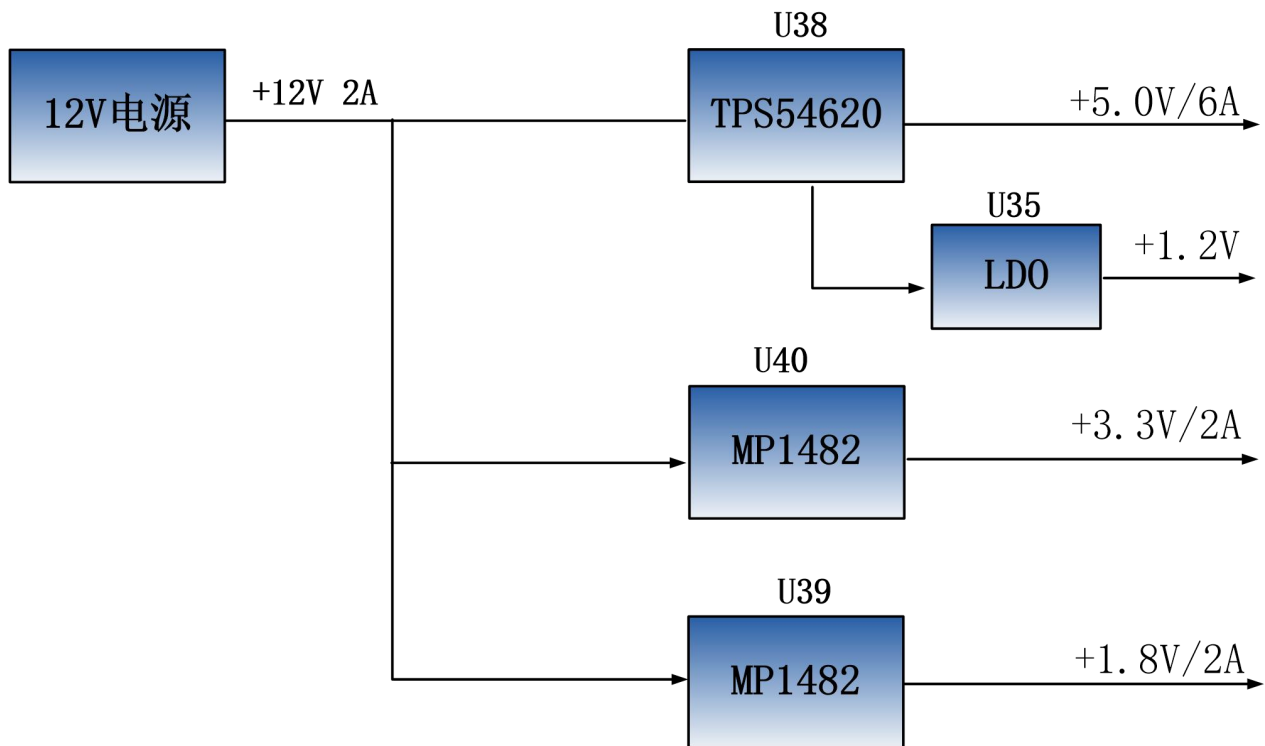


Figure 3-18-1: Carrier Board Power Schematic

The functions of each power distribution are shown in the following table:

Power	Function
+5.0V	USB power supply
+1.8V	Ethernet, USB2.0, BANK66 of Core Board
+3.3V	Ethernet, USB2.0, SD, DP, CAN, RS485
+1.2V	BANK65 of Core Board

### Part 3.19: ALINX Customized Fan

Because AXU2CGB-E generates a lot of heat when it works normally, we add a heat sink and fan to the chip on the board to prevent the chip from overheating. The control of the fan is controlled by the ZYNQ chip. The control pin is connected to the IO of the BANK43 (AA11). If the IO level output is high, the MOSFET is turned on and the fan is working. If the IO level output is low, the fan stops. The fan design on the board is shown in Figure 3-19-1.



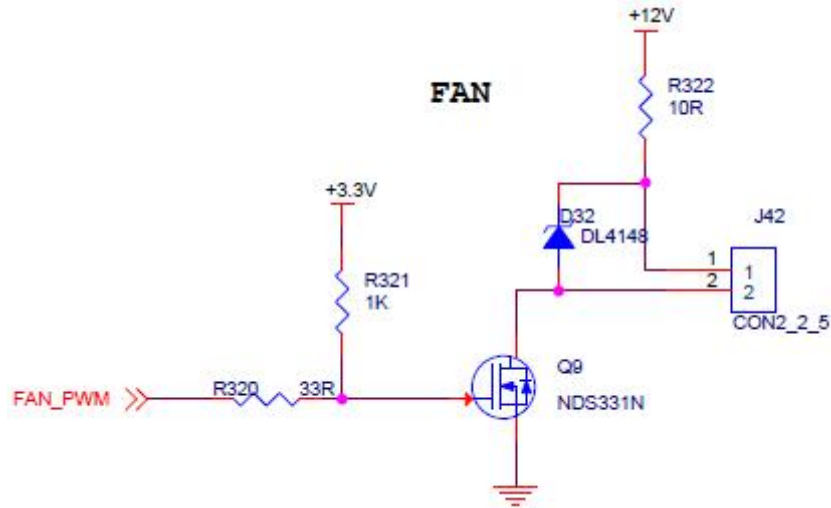


Figure 3-19-1: Fan Design Schematic

The fan has been screwed to the AXU2CGB-E FPGA development board before leaving the factory. The power of the fan is connected to the socket of J24. The red is positive and the black is negative.

### Part 3.20: Carrier Board Size Dimension

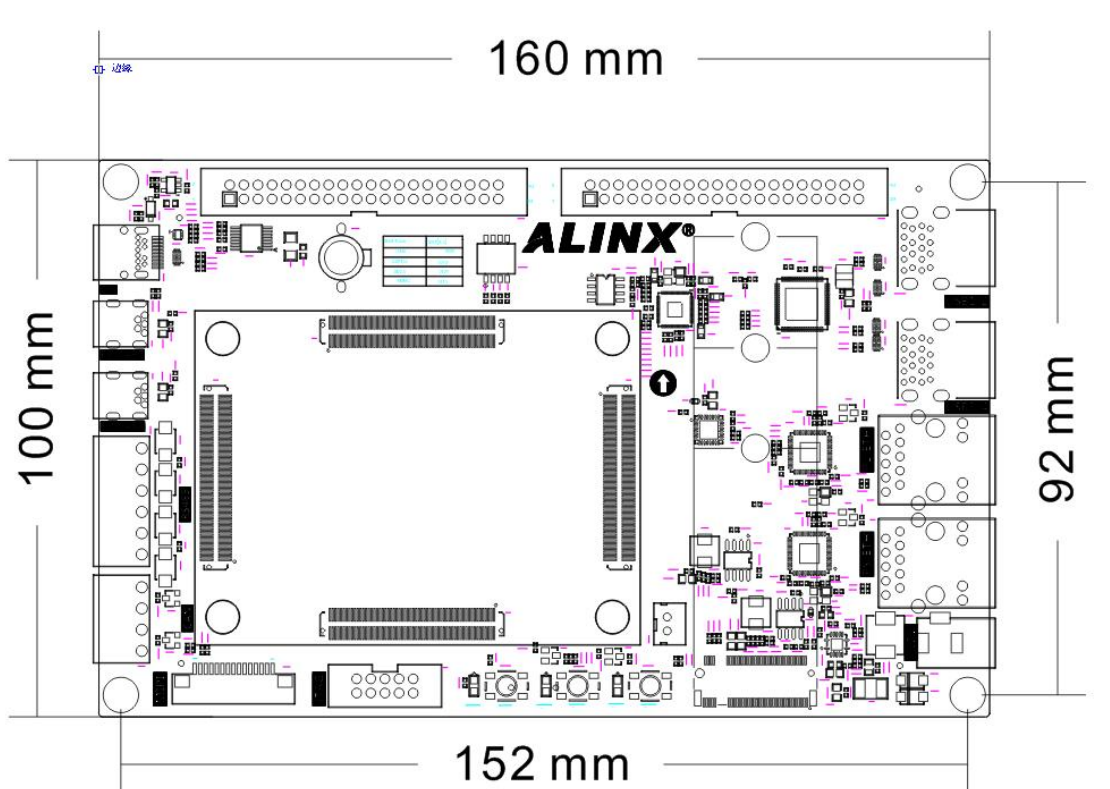


Figure 3-20-1: Top View